



CLADDING 2"

CONSTRUCTION DETAILS



CONSTRUCTION DETAILS

PRODUCT:

CLADDING

AREA:

ENGINEERING

ELABORATED:

V.G.C.

REVISED:

VERSION:

V11 220117

PAGE:

2

LITECON CLADDING

| | |
|----|---|
| 02 | INDEX |
| 03 | BEFORE STARTING |
| 04 | LITECON CLADDING DIMENSIONS |
| 05 | TYPICAL WOOD STUD |
| 06 | BASE INSTALLATION WITH BRICK LEDGE OR STEEL ANGLE |
| 07 | WALLS FLASHING, WEATHER BARRIER, WEEPS |
| 08 | BASE INSTALLATION WITH BRICK LEDGE |
| 09 | BASE INSTALLATION WITH STEEL ANGLE |
| 10 | WALLS - FIRST ROW |
| 11 | WALLS - SUBSEQUENT ROWS |
| 12 | WALLS - SUBSEQUENT ROWS |
| 13 | WALLS - FASTENERS DISTRIBUTION |
| 14 | WALLS - FASTENERS DISTRIBUTION SECTION B |
| 15 | FASTENERS SPECIFICATION FOR WOOD STUD |
| 16 | FASTENERS SPECIFICATION FOR STEEL STUD |
| 17 | CEILING FINISHES |
| 18 | OPENINGS - WINDOWS |
| 19 | OPENINGS - WINDOWS - SECTION A |
| 20 | OPENINGS - WINDOWS - SECTION B & C |
| 21 | OPENINGS - DOORS |
| 22 | OPENINGS - DOORS - SECTION A & B |
| 23 | FINAL STEPS - FIBERGLASS MESH |
| 24 | FINAL STEPS - FINISHES |
| 25 | AIRCRETE MORTAR ADHESIVE |
| 26 | FAQ'S |
| 27 | FAQ'S |
| 28 | PLACEMENT OF ADDITIONAL STUD |
| 29 | CRACKS REPAIRING |
| 30 | FISSURE REPAIRING |
| 31 | CROOKED CORNER REPAIRING |

NOTES

CONSTRUCTION DETAILS



PRODUCT:

CLADDING

AREA:

ENGINEERING

ELABORATED:

V.G.C.

REVISED:

VERSION:

V11 220117

PAGE:

3

BEFORE STARTING

- 1.- BLUEPRINTS
- 2.- ELECTRIC DRILL
- 3.- GROUT MIXING PADDLE
- 4.- A 5 GAL. EMPTY BUCKET
- 5.- RUBBER HAMMER
- 6.- BUBBLE OR LASER KNIFE
- 7.- JOINT KNIFE
- 8.- CIRCULAR SAW
- 9.- BATTERY SCREWDRIVER
- 10.- ELECTRIC POWER 110/220V
- 11.- TAP WATER
- 12.- TAMLYNWRAP Drainable Wrap OR TYVEK Drainwrap IS RECOMMENDED AS WEATHER BARRIER
- 13.- BRICK LEDGE, COATED STEEL ANGLE OR STAINLESS STEEL ANGLE 2" x 2"
- 14.- BENT COPPER, STAINLESS STEEL, ALUMINUM OR PLASTIC FLASHING
- 15.- MTIdry IS RECOMMENDED AS A WALL OPENING WEEPS
- 16.- #10 3 1/2" FASTENERS: THE TIP WILL DEPEND ON THE STUD (WOOD OR STEEL).IN BOTH CASES THE FASTENER SHOULD HAVE A COATING THAT PROVIDES CORROSION RESISTANCE
- 17.- LITECON CLADDING
- 18.- AIRCRETE MORTAR ADHESIVE
- 19.- FIBER GLASS MESH (SAINT-GOBAIN)
- 20.- GE ADVANCE SILICONE 2
- 21.- SILICONE CAULK AND BACKER ROAD

NOTES

CONSTRUCTION DETAILS



PRODUCT:

CLADDING

AREA:

ENGINEERING

ELABORATED:

V.G.C.

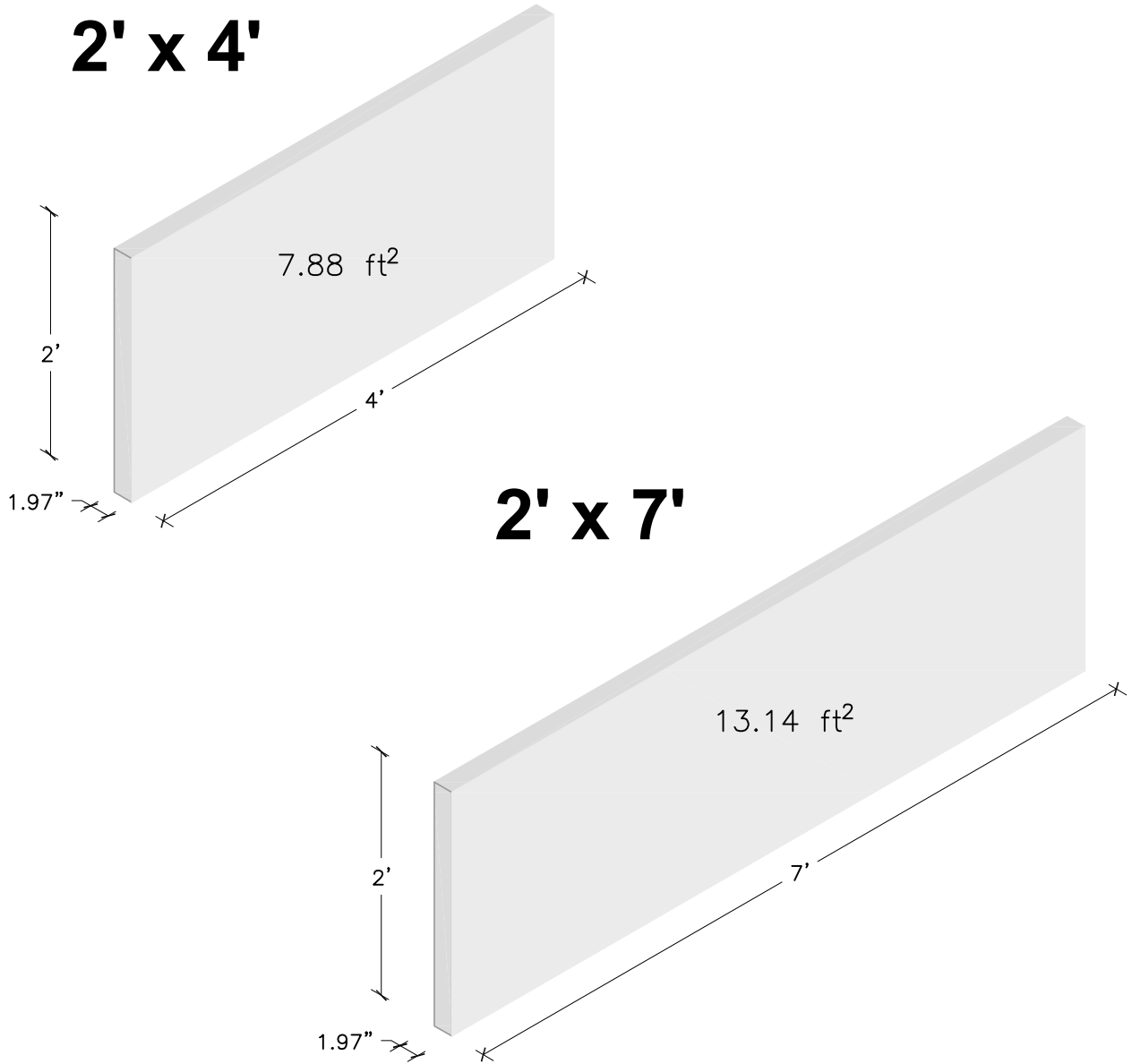
REVISED:

VERSION:

V11 220117

PAGE:

4



LITECON CLADDING DIMENSIONS

NOTES

- 1.- LENGTH CAN BE ADJUSTED TO CUSTOMERS NEEDS (EVERY 0.2 INCHES) UP TO 120"
- 2.- THE NOMINAL SIZE OF THE LITECON CLADDING IS 2' X 4', THE ACTUAL SIZE IS 23.62" X 48.03"
- 3.- THE NOMINAL SIZE OF THE LITECON CALDDING IS 2' X 7', THE ACTUAL SIZE IS 23.62" X 80.11"

CONSTRUCTION DETAILS



PRODUCT:

CLADDING

AREA:

ENGINEERING

ELABORATED:

V.G.C.

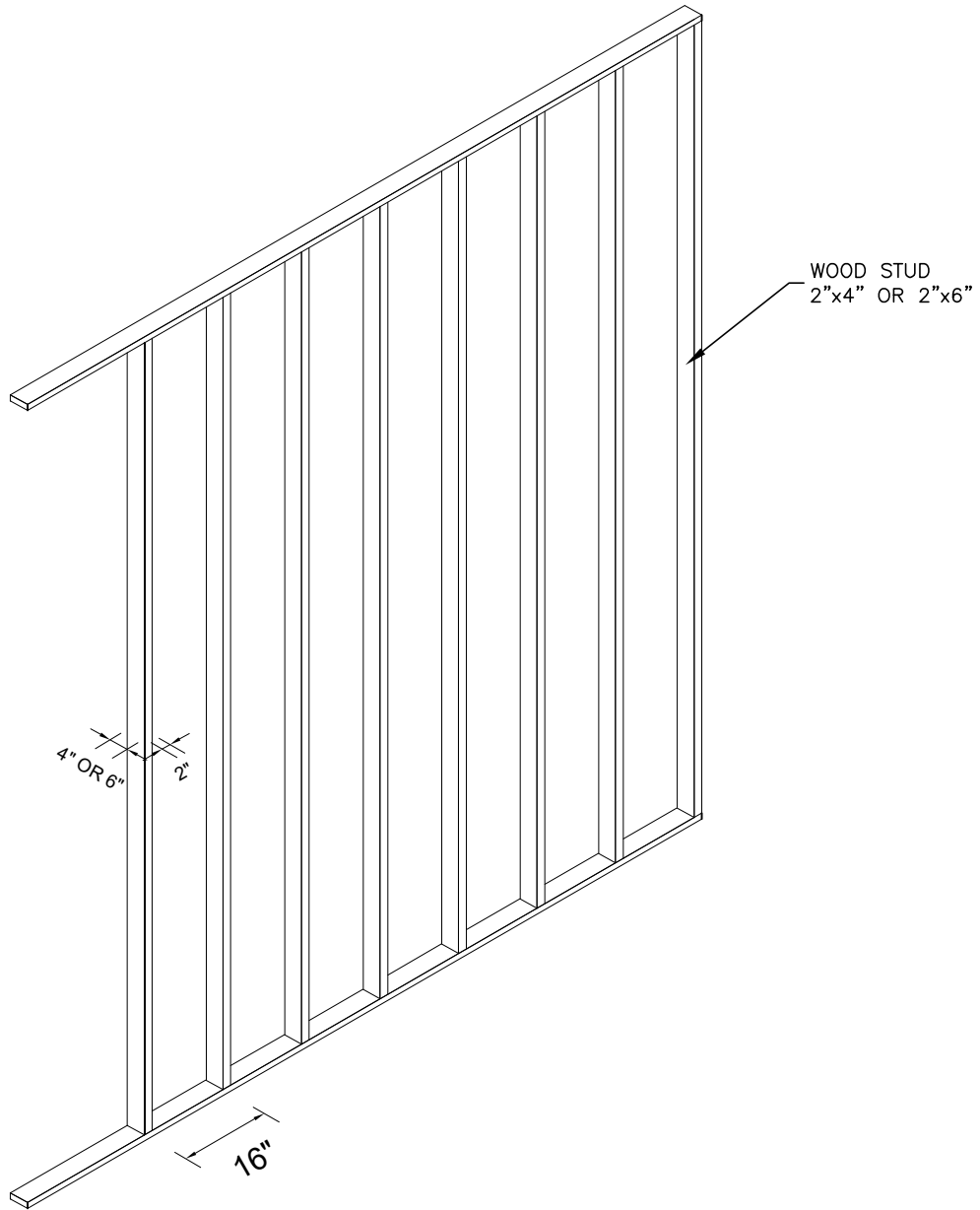
REVISED:

VERSION:

V11 220117

PAGE:

5



TYPICAL WOOD STUD

NOTES

- 1.- THE NOMINAL SIZE OF FRAMING STUD IS 2" X 4", THE ACTUAL MEASURE IS 1 1/2" X 3 1/2"
- 2.- THE NOMINAL SIZE OF FRAMING STUD IS 2" X 6", THE ACTUAL MEASURE IS 1 1/2" X 5 1/2"

CONSTRUCTION DETAILS



PRODUCT:

CLADDING

AREA:

ENGINEERING

ELABORATED:

V.G.C.

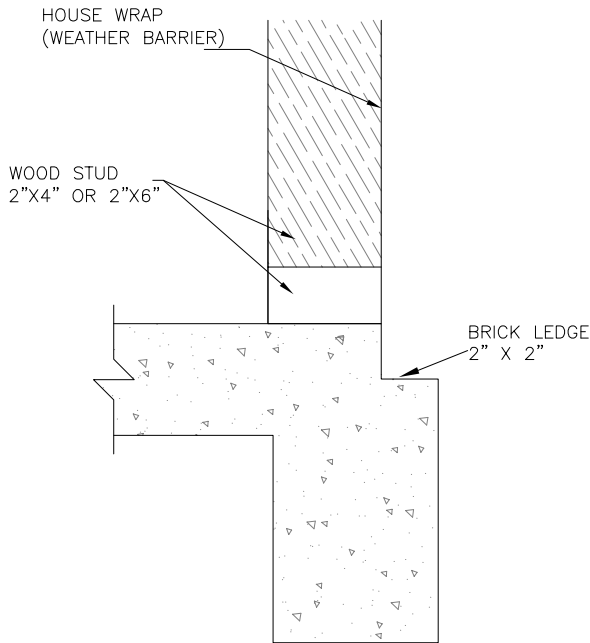
REVISED:

VERSION:

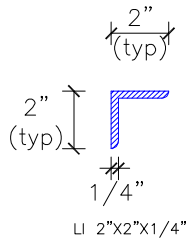
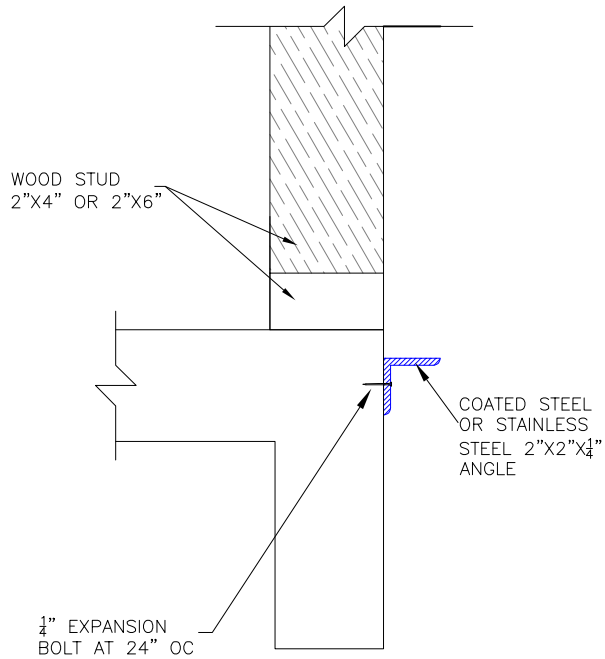
V11 220117

PAGE:

6



**BASE INSTALLATION
WITH BRICK LEDGE
OR STEEL ANGLE**



NOTES

- 1.- A TYPE S MORTAR CAN BE USED FOR LEVELING
- 2.- THE LEVELER THICKNESS RANGE IS $\frac{1}{16}$ " TO 1"
- 3.- **TAMLYNWRAP Drainable Wrap** OR **TYVEK DrainWrap** ARE RECOMMENDED AS A WEATHER BARRIER
- 4.- FLASHING (BENT COPPER, STAINLESS STEEL, ALUMINUM OR PLASTIC), CHECK THE MANUFACTURER'S INSTALLATION GUIDES
- 5.- FOR THE INSTALLATION OF THE WEATHER BARRIER, CHECK THE MANUFACTURER'S INSTALLATION GUIDES
- 6.- **MTIdry** IS RECOMMENDED AS A WALL OPENING WEEP, CHECK THE MANUFACTURER'S INSTALLATION GUIDES

CONSTRUCTION DETAILS



PRODUCT:

CLADDING

AREA:

ENGINEERING

ELABORATED:

V.G.C.

REVISED:

VERSION:

V11 220117

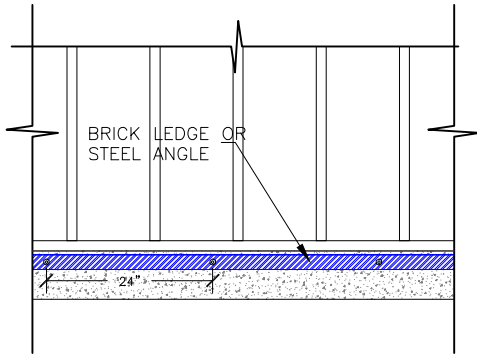
PAGE:

7

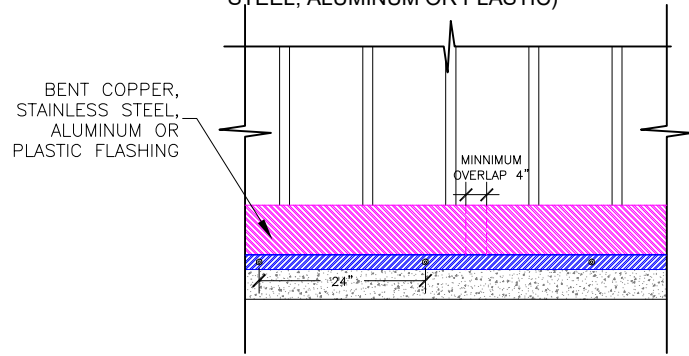
WALLS

FLASHING, WEATHER BARRIER, WEEPS

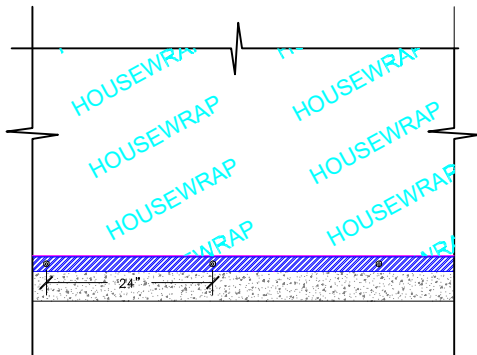
1.- BLOCK OUT FOR BRICK LEDGE OR INSTALL IRON ANGLE



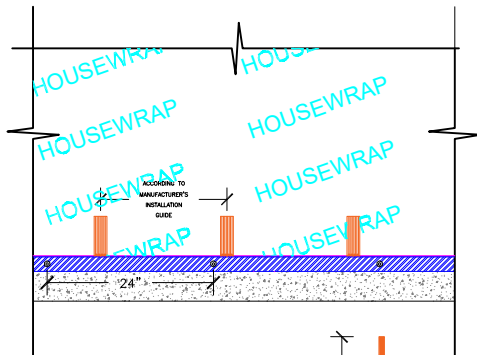
2.- INSTALL FLASHING (BENT COPPER, STAINLESS STEEL, ALUMINUM OR PLASTIC)



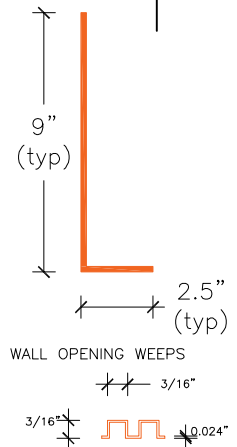
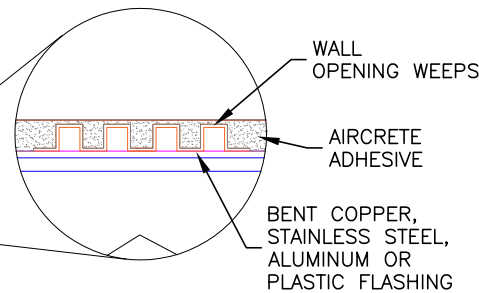
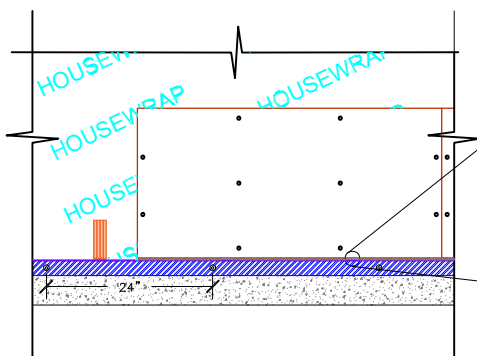
3.- INSTALL THE WEATHER BARRIER (HOUSEWRAP)



4.- INSTALL WALL OPENING WEEPS



5.- INSTALL LITECON CLADDING



NOTES

- 1.- A TYPE S MORTAR CAN BE USED FOR LEVELING
- 2.- THE LEVELER THICKNESS RANGE IS $\frac{1}{16}$ " TO 1"
- 3.- **TAMLYNWRAP Drainable Wrap** OR **TYVEK DrainWrap** ARE RECOMMENDED AS A WEATHER BARRIER
- 4.- FLASHING (BENT COPPER, STAINLESS STEEL, ALUMINUM OR PLASTIC), CHECK THE MANUFACTURER'S INSTALLATION GUIDES
- 5.- FOR THE INSTALLATION OF THE WEATHER BARRIER, CHECK THE MANUFACTURER'S INSTALLATION GUIDES
- 6.- **MTIdry** IS RECOMMENDED AS A WALL OPENING WEEP, CHECK THE MANUFACTURER'S INSTALLATION GUIDES

CONSTRUCTION DETAILS



PRODUCT:

CLADDING

AREA:

ENGINEERING

ELABORATED:

V.G.C.

REVISED:

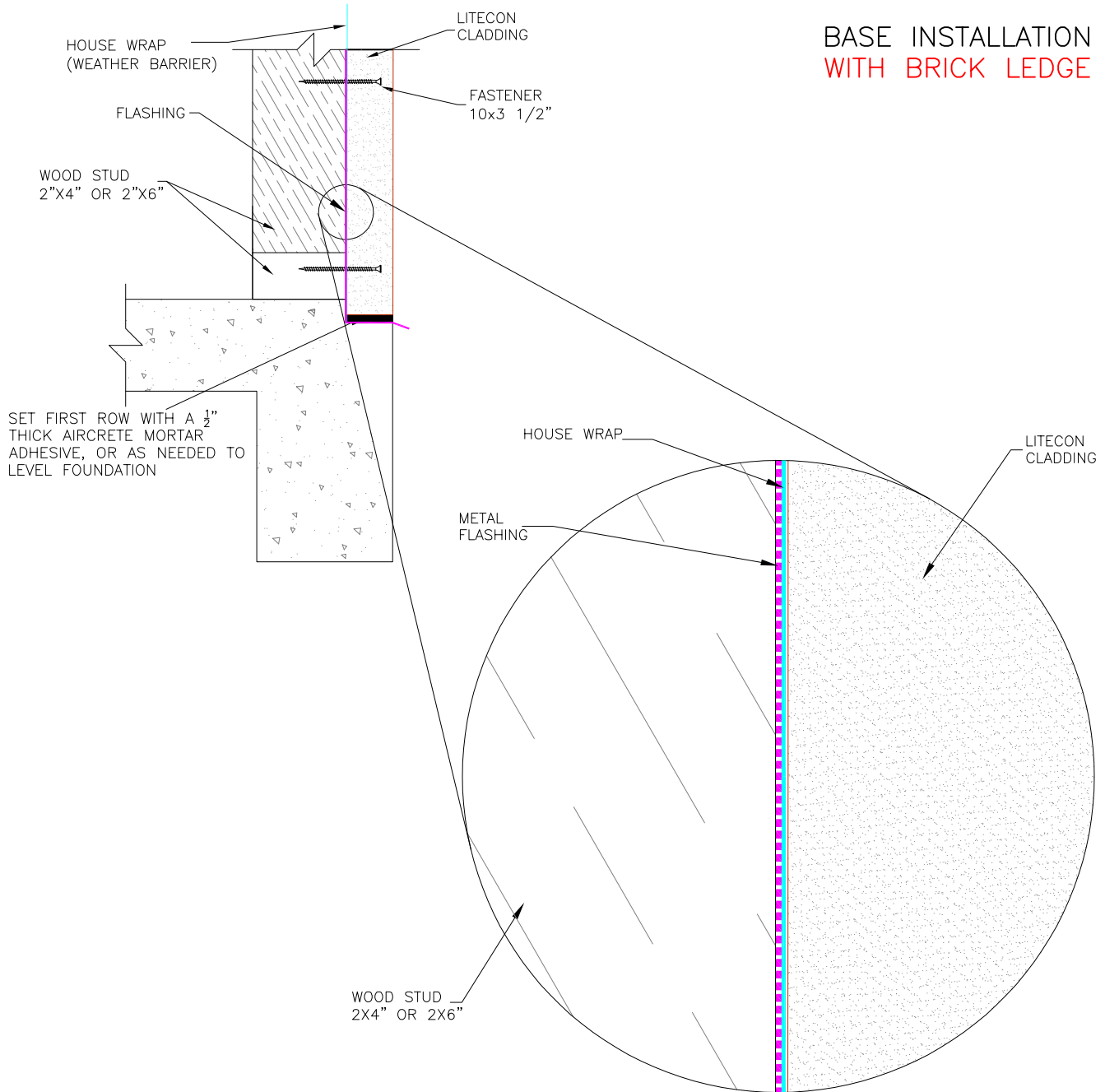
VERSION:

V11 220117

PAGE:

8

BASE INSTALLATION WITH BRICK LEDGE



NOTES

- 1.- A TYPE S MORTAR CAN BE USED FOR LEVELING
- 2.- THE LEVELER THICKNESS RANGE IS 1/16" TO 1"
- 3.- **TAMLYNWRAP Drainable Wrap** OR **TYVEK DrainWrap** ARE RECOMMENDED AS A WEATHER BARRIER
- 4.- FLASHING (BENT COPPER, STAINLESS STEEL, ALUMINUM OR PLASTIC), CHECK THE MANUFACTURER'S INSTALLATION GUIDES
- 5.- FOR THE INSTALLATION OF THE WEATHER BARRIER, CHECK THE MANUFACTURER'S INSTALLATION GUIDES
- 6.- **MTIdry** IS RECOMMENDED AS A WALL OPENING WEEP, CHECK THE MANUFACTURER'S INSTALLATION GUIDES

CONSTRUCTION DETAILS



PRODUCT:

CLADDING

AREA:

ENGINEERING

ELABORATED:

V.G.C.

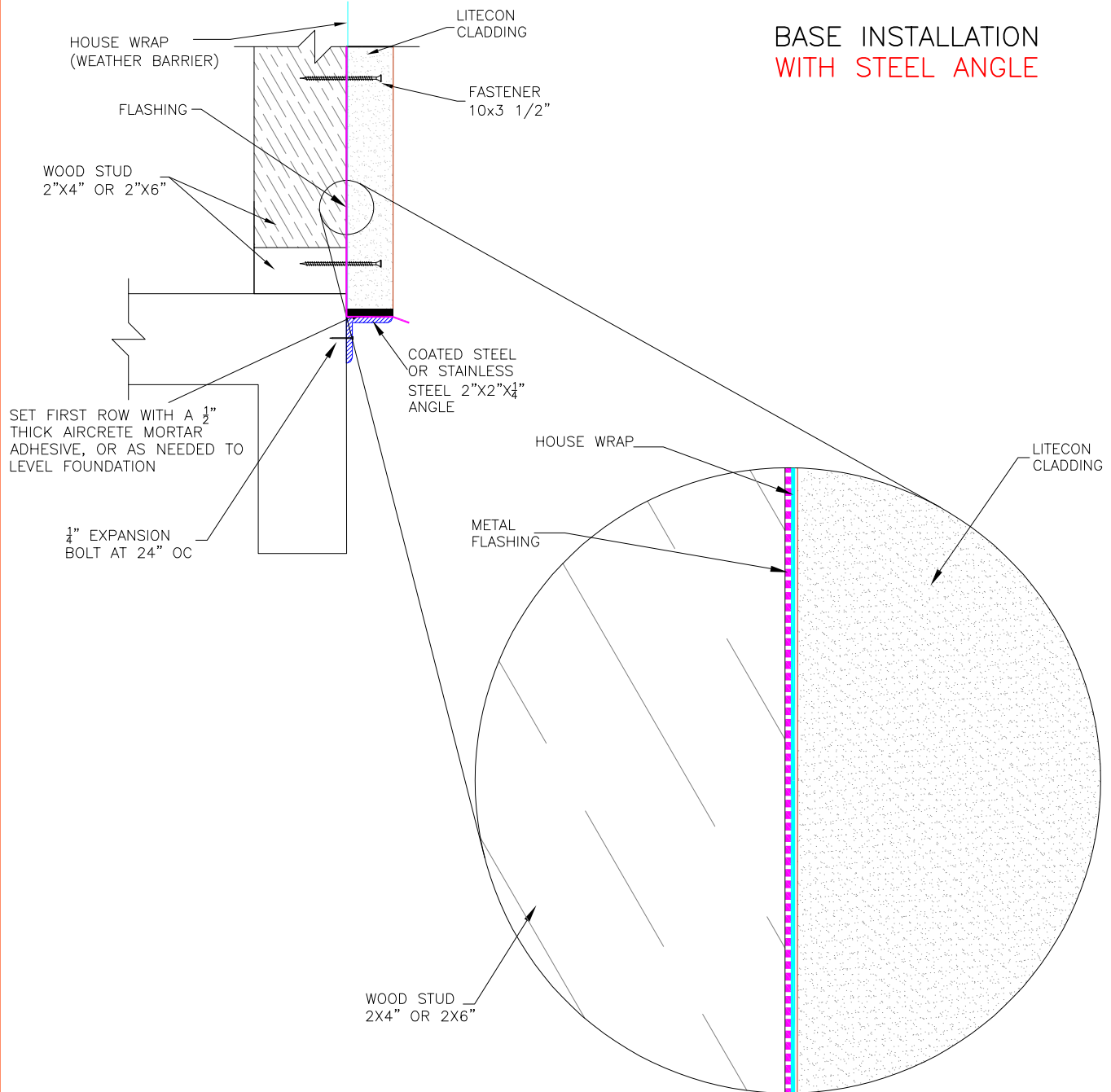
REVISED:

VERSION:

V11 220117

PAGE:

9



BASE INSTALLATION WITH STEEL ANGLE

NOTES

- 1.- A TYPE S MORTAR CAN BE USED FOR LEVELING
- 2.- THE LEVELER THICKNESS RANGE IS $\frac{1}{16}$ " TO 1"
- 3.- **TAMLYNWRAP Drainable Wrap** OR **TYVEK DrainWrap** ARE RECOMMENDED AS A WEATHER BARRIER
- 4.- FLASHING (BENT COPPER, STAINLESS STEEL, ALUMINUM OR PLASTIC), CHECK THE MANUFACTURER'S INSTALLATION GUIDES
- 5.- FOR THE INSTALLATION OF THE WEATHER BARRIER, CHECK THE MANUFACTURER'S INSTALLATION GUIDES
- 6.- **MTIdry** IS RECOMMENDED AS A WALL OPENING WEEP, CHECK THE MANUFACTURER'S INSTALLATION GUIDES

CONSTRUCTION DETAILS



PRODUCT:

CLADDING

AREA:

ENGINEERING

ELABORATED:

V.G.C.

REVISED:

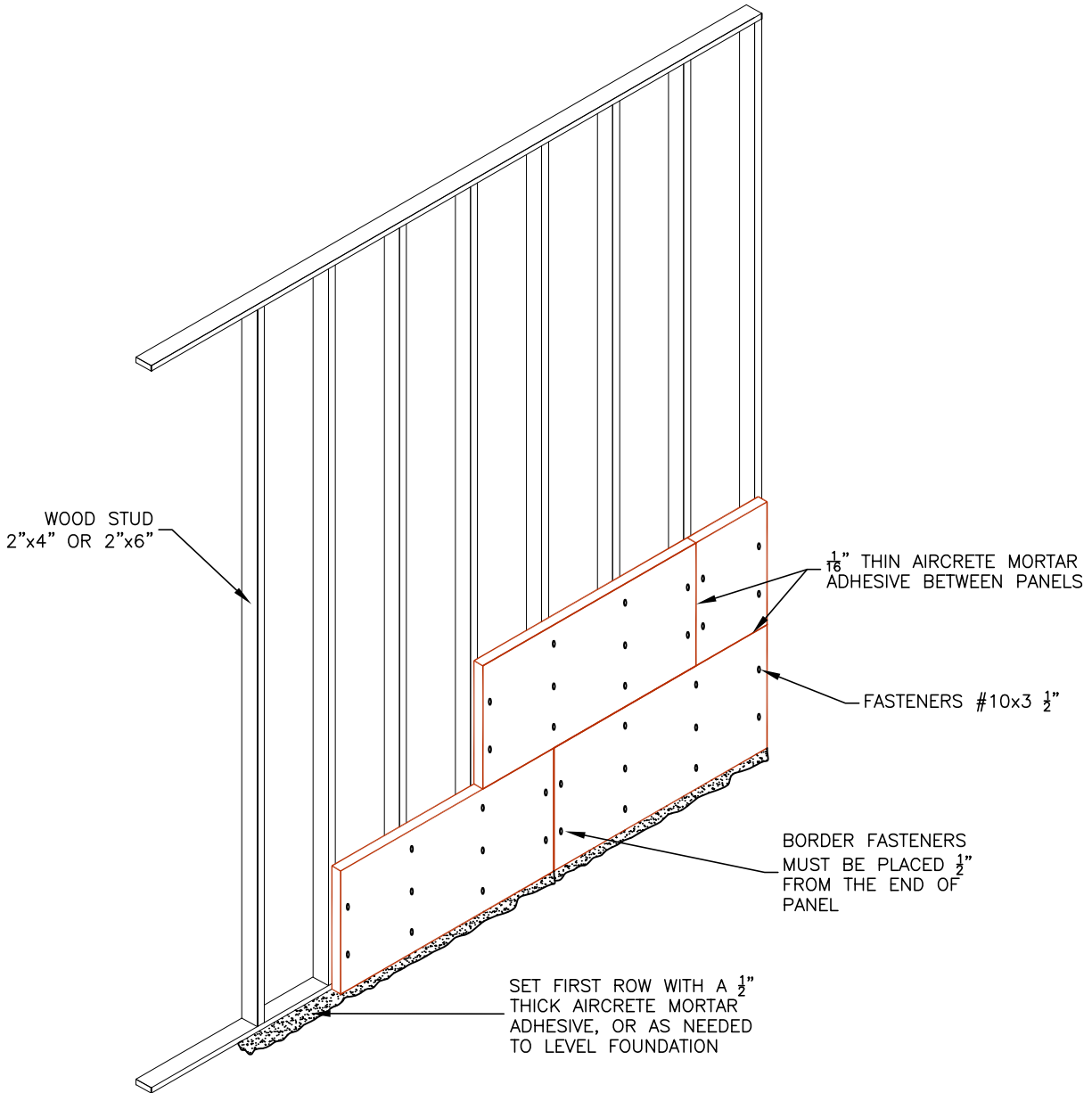
VERSION:

V11 220117

PAGE:

10

WALLS FIRST ROW



NOTES

- 1.- THE FIRST ROW CAN ALSO BE LEVELED WITH TRADITIONAL TYPE S MORTAR OR A MIX OF MORTAR AND AIRCRETE ADHESIVE
- 2.- THE $\frac{1}{2}$ " GAP GENERATED BY THE FASTENER MUST BE FILLED WITH ADHESIVE MORTAR TO PREVENT WATER INTRUSION TO THE STUD

CONSTRUCTION DETAILS



PRODUCT:

CLADDING

AREA:

ENGINEERING

ELABORATED:

V.G.C.

REVISED:

VERSION:

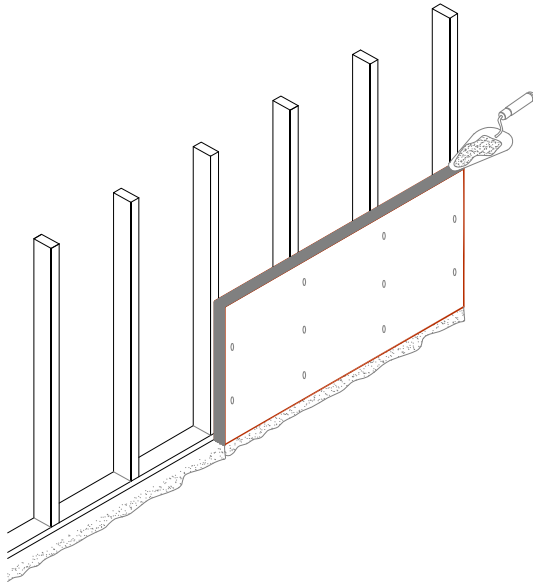
V11 220117

PAGE:

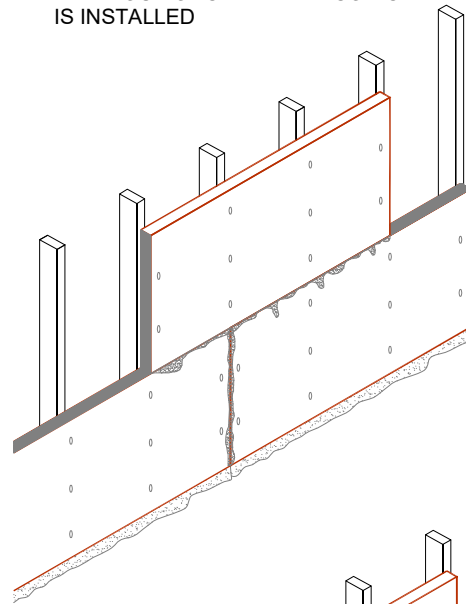
11

WALLS SUBSEQUENT ROWS

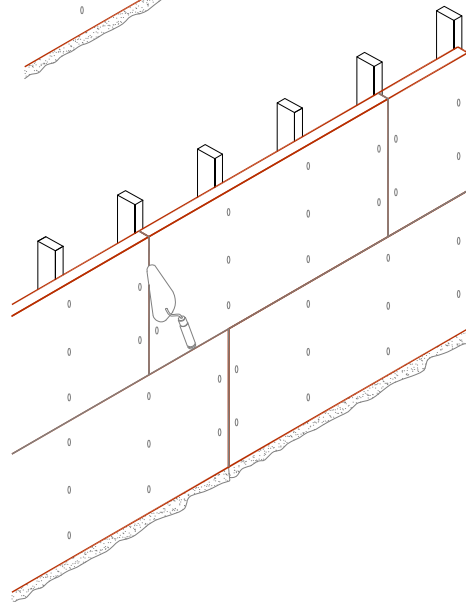
1.- APPLY AIRCRETE ADHESIVE BETWEEN THE MATING FACES



2.- APPLY ENOUGH AIRCRETE ADHESIVE SO THAT IT SPITS OUT ONCE THE LITECON CLADDING IS INSTALLED



3.- AFTER THE LITECON CLADDING IS INSTALLED SMOOTHEN THE AREA WHERE THE ADHESIVE SPAT OUT



NOTES

- 1.- THE FIRST ROW CAN ALSO BE LEVELLED WITH TRADITIONAL TYPE S MORTAR OR A MIX OF MORTAR AND AIRCRETE ADHESIVE
- 2.- THE $\frac{1}{2}$ " GAP GENERATED BY THE FASTENER MUST BE FILLED WITH ADHESIVE MORTAR TO PREVENT WATER INTRUSION TO THE STUD
- 3.- $\frac{1}{16}$ " THIN AIRCRETE MORTAR ADHESIVE BETWEEN PANELS

CONSTRUCTION DETAILS



PRODUCT:

CLADDING

AREA:

ENGINEERING

ELABORATED:

V.G.C.

REVISED:

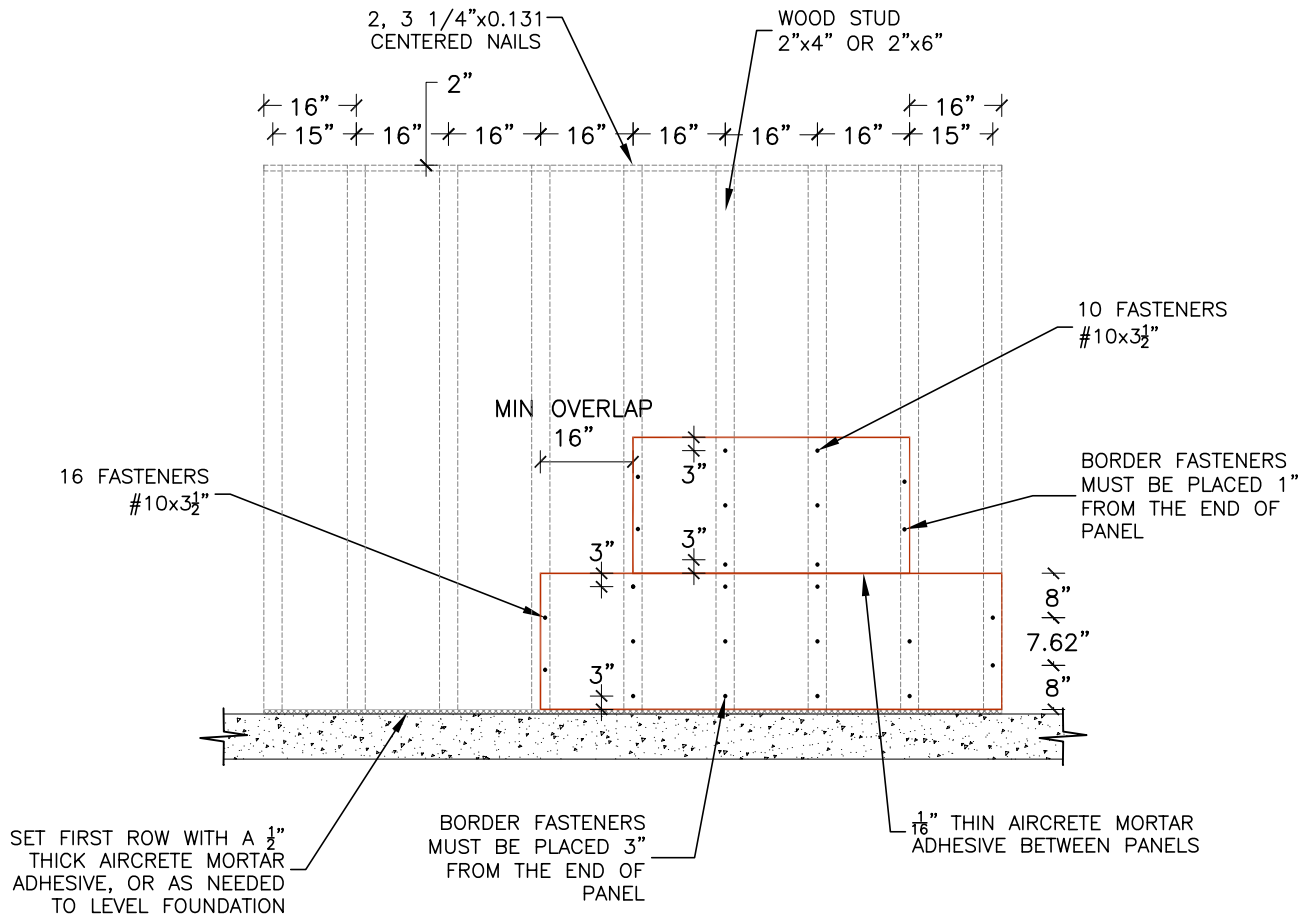
VERSION:

V11 220117

PAGE:

12

WALLS SUBSEQUENT ROWS



NOTES

- 1.- THE FIRST ROW CAN ALSO BE LEVELED WITH TRADITIONAL TYPE S MORTAR OR A MIX OF MORTAR AND AIRCRETE ADHESIVE
- 2.- THE 1/2" GAP GENERATED BY THE FASTENER MUST BE FILLED WITH ADHESIVE MORTAR TO PREVENT WATER INTRUSION TO THE STUD
- 3.- THE 2' X 4' PANEL MUST BE INSTALLED WITH 10 FASTENERS
- 4.- THE 2' X 7' PANEL MUST BE INSTALLED WITH 16 FASTENERS

CONSTRUCTION DETAILS



PRODUCT:

CLADDING

AREA:

ENGINEERING

ELABORATED:

V.G.C.

REVISED:

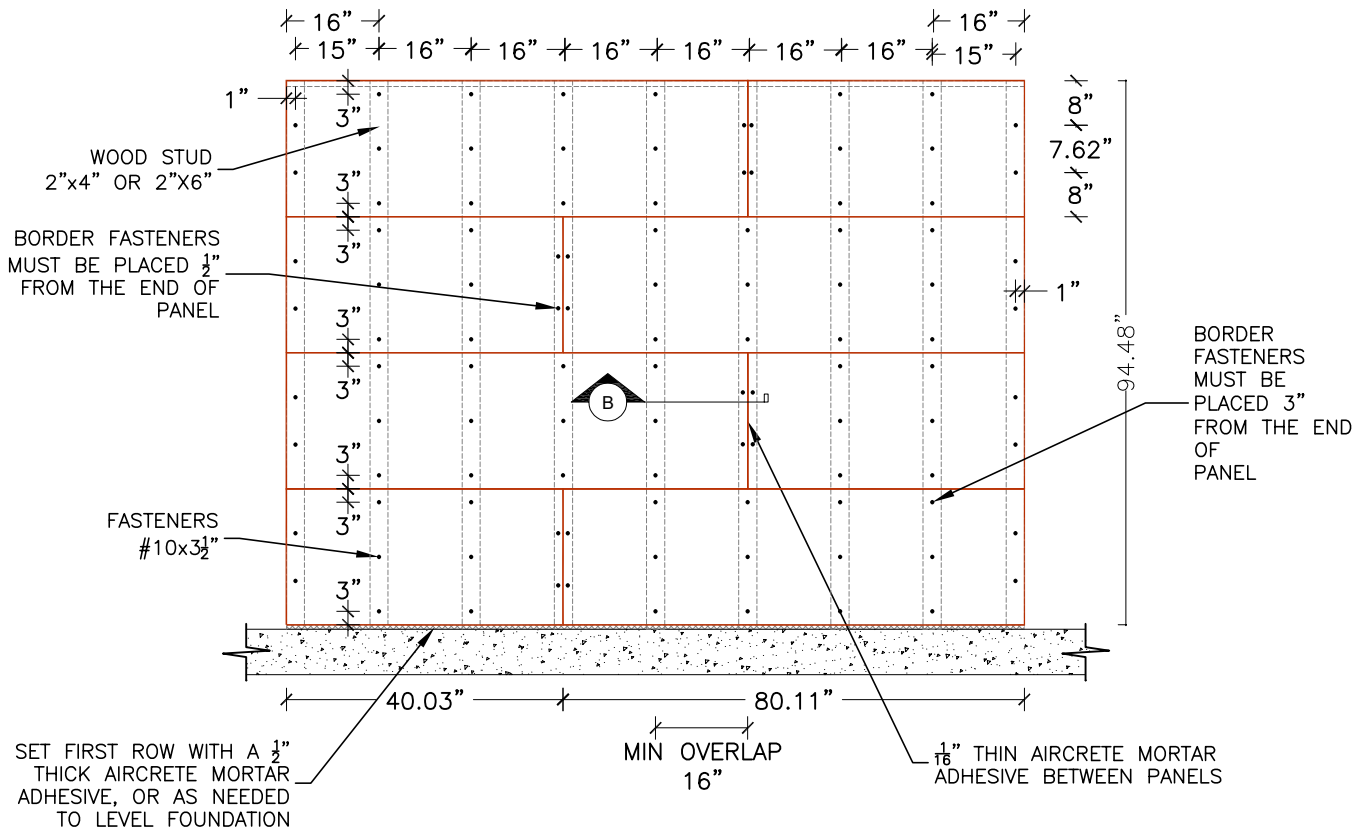
VERSION:

V11 220117

PAGE:

13

WALLS FASTENERS DISTRIBUTION



NOTES

- 1.- THE $\frac{1}{2}$ " GAP GENERATED BY THE FASTENER MUST BE FILLED WITH ADHESIVE MORTAR TO PREVENT WATER INTRUSION TO THE STUD
- 2.- THE 2' X 4' PANEL MUST BE INSTALLED WITH 10 FASTENERS
- 3.- THE 2' X 7' PANEL MUST BE INSTALLED WITH 16 FASTENERS

CONSTRUCTION DETAILS



PRODUCT:

CLADDING

AREA:

ENGINEERING

ELABORATED:

V.G.C.

REVISED:

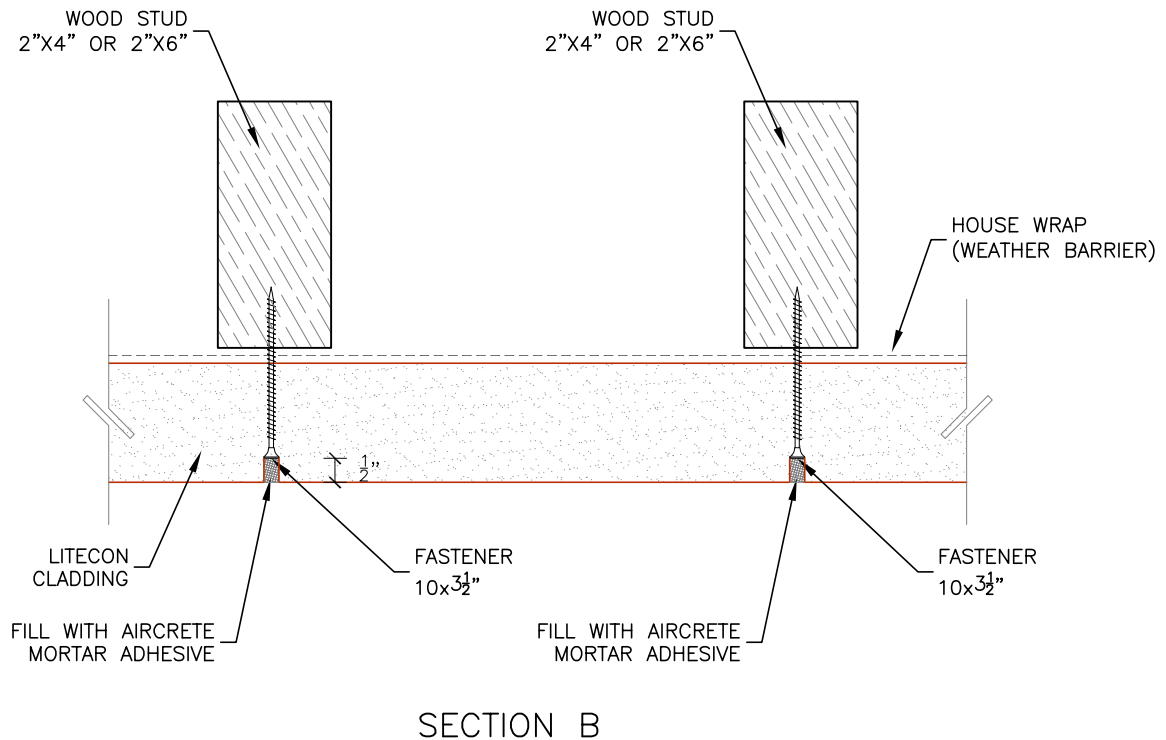
VERSION:

V11 220117

PAGE:

14

WALLS FASTENERS DISTRIBUTION



FASTENERS HEADS MUST BE COUNTERSUNK $\frac{1}{2}$ " INTO THE PANEL

NOTES

- 1.- THE $\frac{1}{2}$ " GAP GENERATED BY THE FASTENER MUST BE FILLED WITH ADHESIVE MORTAR TO PREVENT WATER INTRUSION TO THE STUD
- 2.- THE 2' X 4' PANEL MUST BE INSTALLED WITH 10 FASTENERS
- 3.- THE 2' X 7' PANEL MUST BE INSTALLED WITH 16 FASTENERS
- 4.- FASTENERS HEADS MUST BE COUNTERSUNK $\frac{1}{2}$ " INTO THE PANEL
- 5.- **TAMLYNWRAP Drainable Wrap** OR **TYVEK DrainWrap** ARE RECOMMENDED AS A WEATHER BARRIER

CONSTRUCTION DETAILS



PRODUCT:

CLADDING

AREA:

ENGINEERING

ELABORATED:

V.G.C.

REVISED:

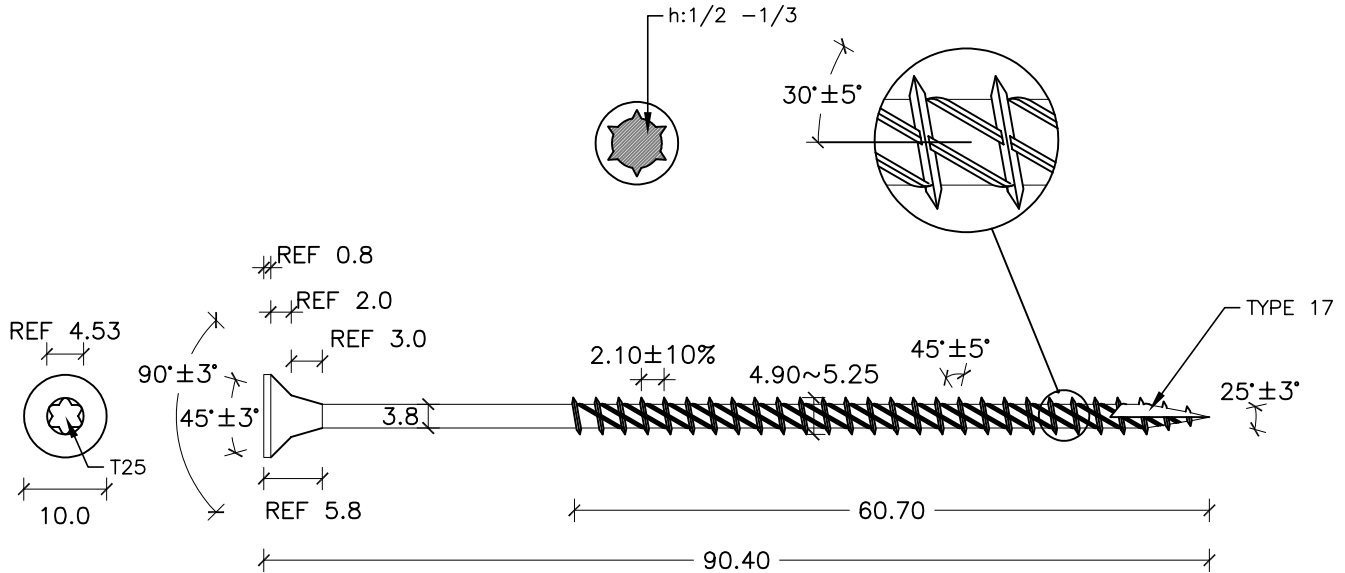
VERSION:

V11 220117

PAGE:

15

FASTENERS SPECIFICATION FOR WOOD STUD



| Size | Count Per Box | Lbs. per Box | SKU |
|-------------|---------------|--------------|---------|
| 10 x 3 1/2" | 1 M | 19 | 680-200 |

| | |
|--------------------|---------------|
| Material | C1018 Steel |
| Torsional Strength | 56kg-cm min. |
| Shear Strength | 1200 lbs min. |
| Pullout (plywood) | >340 psi. |

Premium Ceramic - Star Drive

Dual Coarse Thread, Gold, Type 17 Point
 1000 Hour Long Life Ceramic Coating and heavy gauge for tough jobs. Dual thread design to greatly reduce splitting. Positive drives every time. Virtually eliminates need for pre-drilling. Counter-sunk head with nibs for a clean finish. For exterior use including decks, railings and other projects where rust resistance is important.

NOTES

- 1.- THE FASTENERS SHOULD HAVE A COATING THAT PROVIDES CORROSION RESISTANCE
- 2.- THE FASTENERS SHOULD HAVE A TYPE 17 POINT FOR WOOD STUD
- 3.- **FASTENAL OR DECKMATE** FASTENERS ARE RECOMMENDED

CONSTRUCTION DETAILS



PRODUCT:

CLADDING

AREA:

ENGINEERING

ELABORATED:

V.G.C.

REVISED:

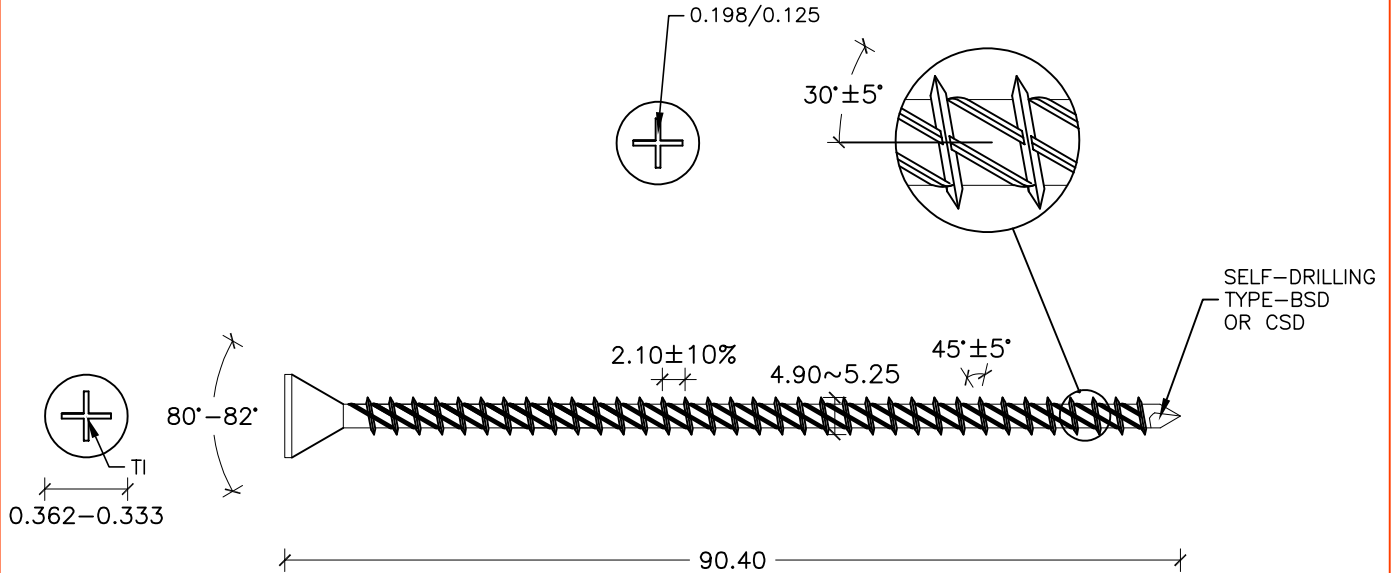
VERSION:

V11 220117

PAGE:

16

FASTENERS SPECIFICATION FOR STEEL STUD



| Size | Count Per Box | Lbs. per Box |
|-------------|---------------|--------------|
| 10 x 3 1/2" | 1 M | 19 |

Zinc Plated Steel - Self-drill

A tapping screw with spaced threads and drill point which drills it's own hole, screws shall be quenched in liquid and then tempered by reheating to 625°F minimum.

| | |
|--------------------|-----------------|
| Material | AISI 1016- 1024 |
| Torsional Strenght | 61 lb-in min. |
| Shear Strenght | 1200 lbs min. |
| Pullout (plywood) | >340 psi. |

NOTES

- 1.- THE FASTENERS SHOULD HAVE A COATING THAT PROVIDES CORROSION RESISTANCE
- 2.- THE FASTENERS SHOULD HAVE A SELF DRILLING POINT FOR STEEL STUD
- 3.- **FASTENAL** OR **DECKMATE** FASTENERS ARE RECOMMENDED

CONSTRUCTION DETAILS



PRODUCT:

CLADDING

AREA:

ENGINEERING

ELABORATED:

V.G.C.

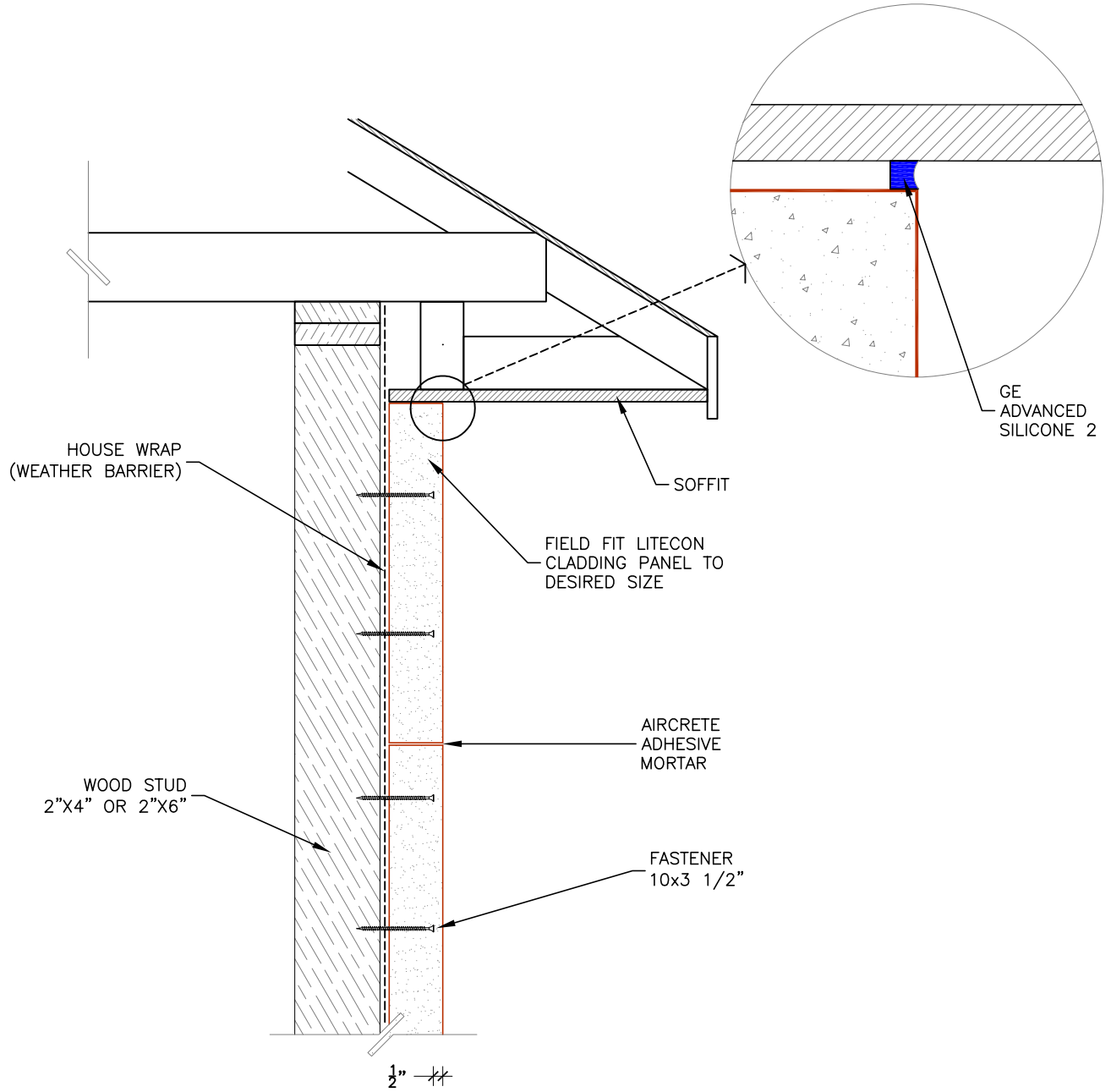
REVISED:

VERSION:

V11 220117

PAGE:

17



CEILING FINISHES

NOTES

- 1.- TAMLYNWRAP Drainable Wrap OR TYVEK DrainWrap ARE RECOMMENDED AS A WEATHER BARRIER

CONSTRUCTION DETAILS



PRODUCT:

CLADDING

AREA:

ENGINEERING

ELABORATED:

V.G.C.

REVISED:

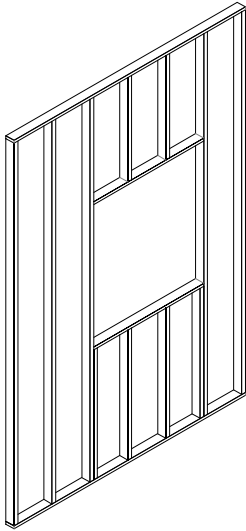
VERSION:

V11 220117

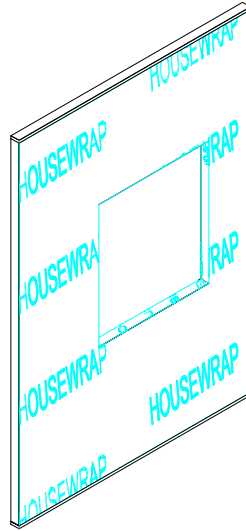
PAGE:

18

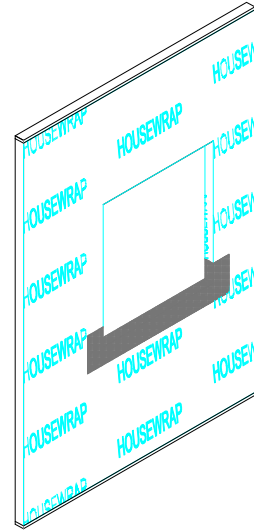
1.- STANDARD STUD DISTRIBUTION FOR WINDOWS



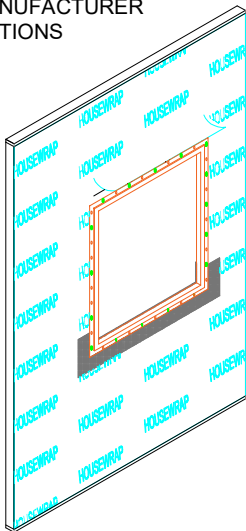
2.- INSTALL WEATHER BARRIER (HOUSEWRAP), RETURN WRAP TO INTERIOR & STAPLE



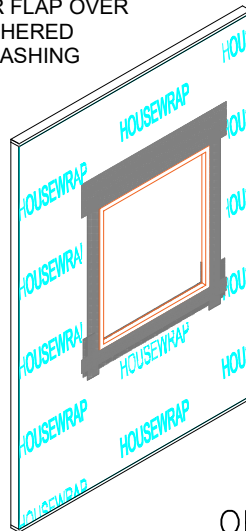
3.- INSTALL 12" SELF-ADHERED SILL FLASHING OVER TOP OF 2X SILL & CONT. 1/4" BACK DAM.



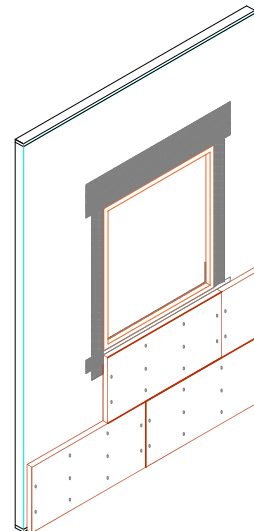
4.- SLIT WEATHER BARRIER VERTICALLY IN THE LINE, ATTACH WINDOW IN STRICT CONFORMANCE WITH MANUFACTURER INSTRUCTIONS



5.- INSTALL SELF-ADHERED SILL OVER WINDOW FLANGE AT EACH SIDE, FOLD WEATHER BARRIER FLAP OVER SELF-ADHERED HEAD FLASHING



6.- INSTALL LITECON CLADDING



**OPENINGS
WINDOWS**

NOTES

1.- TAMLYNWRAP Drainable Wrap OR TYVEK DrainWrap ARE RECOMMENDED AS A WEATHER BARRIER

CONSTRUCTION DETAILS



PRODUCT:

CLADDING

AREA:

ENGINEERING

ELABORATED:

V.G.C.

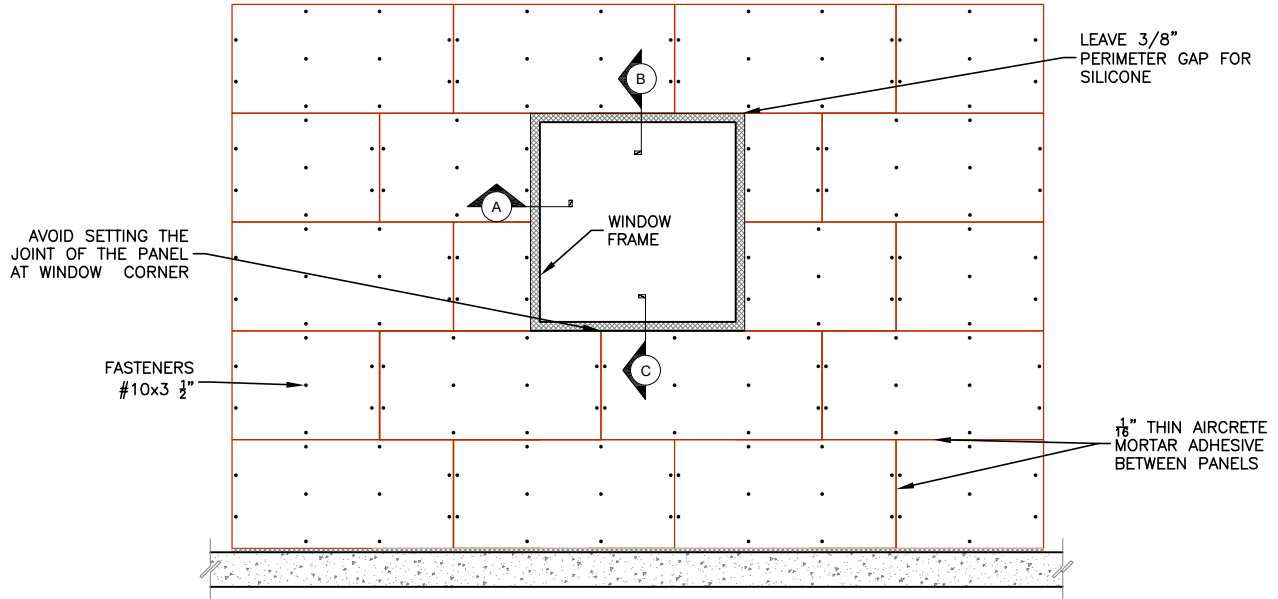
REVISED:

VERSION:

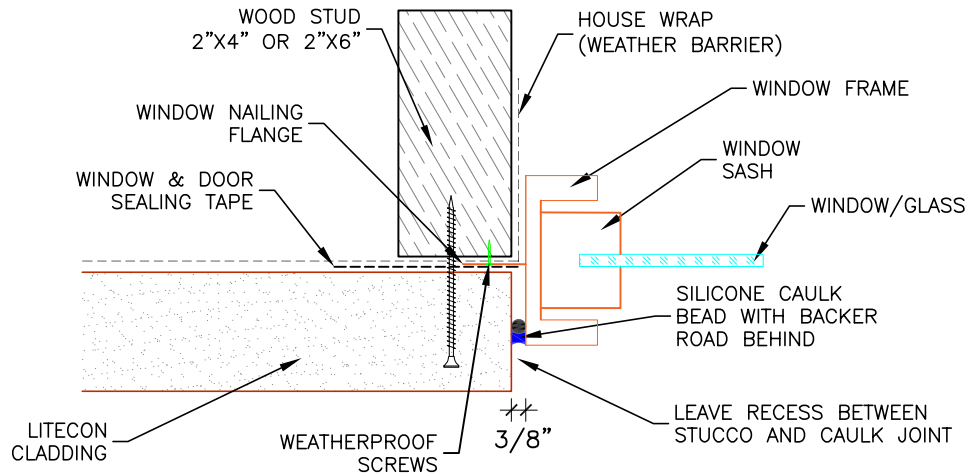
V11 220117

PAGE:

19



SECTION A



OPENINGS WINDOWS

NOTES

- 1.- TAMLYNWRAP Drainable Wrap OR TYVEK DrainWrap ARE RECOMMENDED AS A WEATHER BARRIER

CONSTRUCTION DETAILS



PRODUCT:

CLADDING

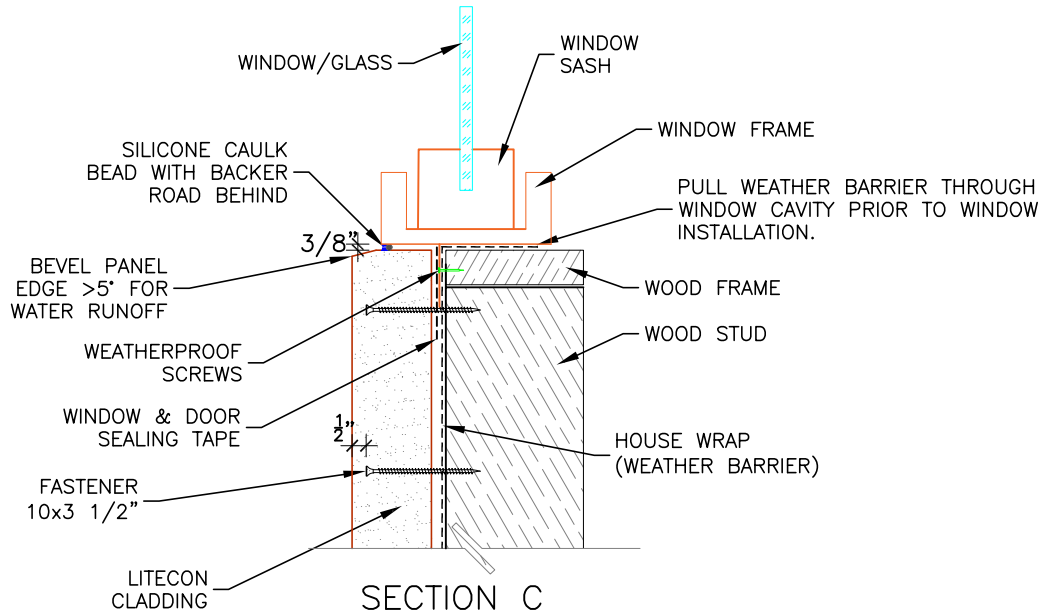
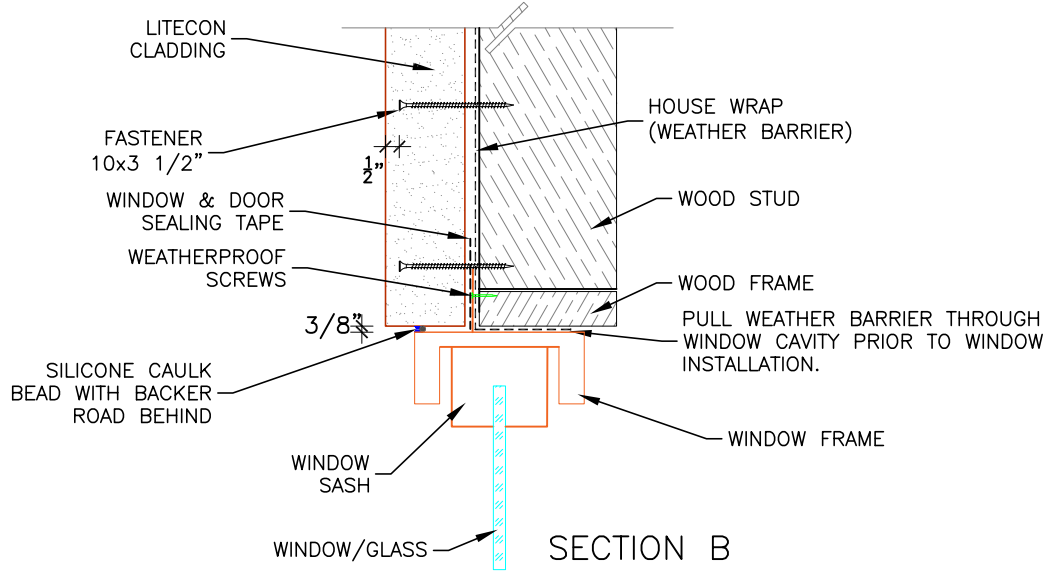
AREA:
ENGINEERING

ELABORATED:
V.G.C.

REVISED:

VERSION:
V11 220117

PAGE:
20



OPENINGS WINDOWS

NOTES

1.- TAMLYNWRAP Drainable Wrap OR TYVEK DrainWrap ARE RECOMMENDED AS A WEATHER BARRIER

CONSTRUCTION DETAILS



PRODUCT:

CLADDING

AREA:

ENGINEERING

ELABORATED:

V.G.C.

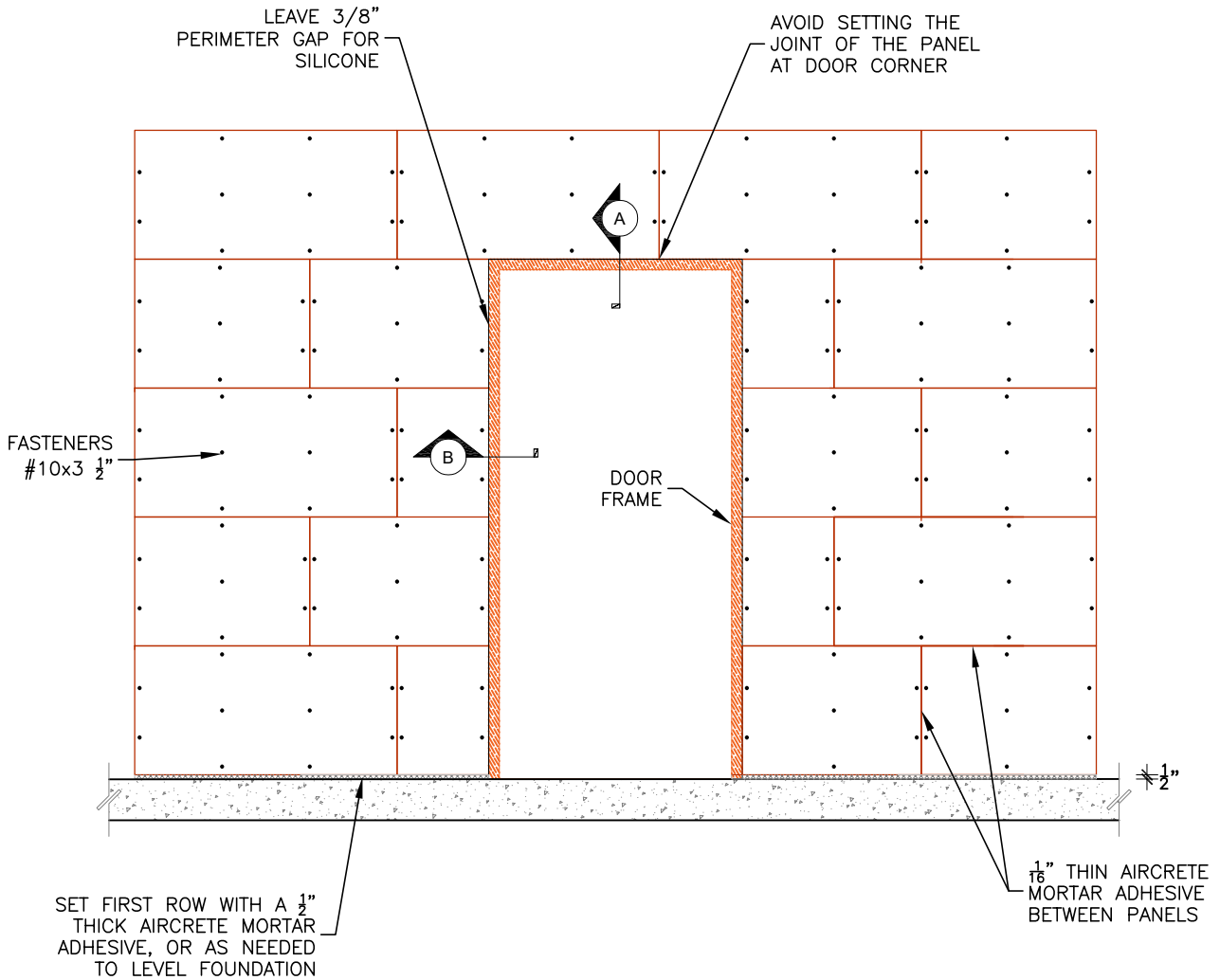
REVISED:

VERSION:

V11 220117

PAGE:

21



OPENINGS DOORS

NOTES

- 1.- TAMLYNWRAP Drainable Wrap OR TYVEK DrainWrap ARE RECOMMENDED AS A WEATHER BARRIER

CONSTRUCTION DETAILS



PRODUCT:

CLADDING

AREA:

ENGINEERING

ELABORATED:

V.G.C.

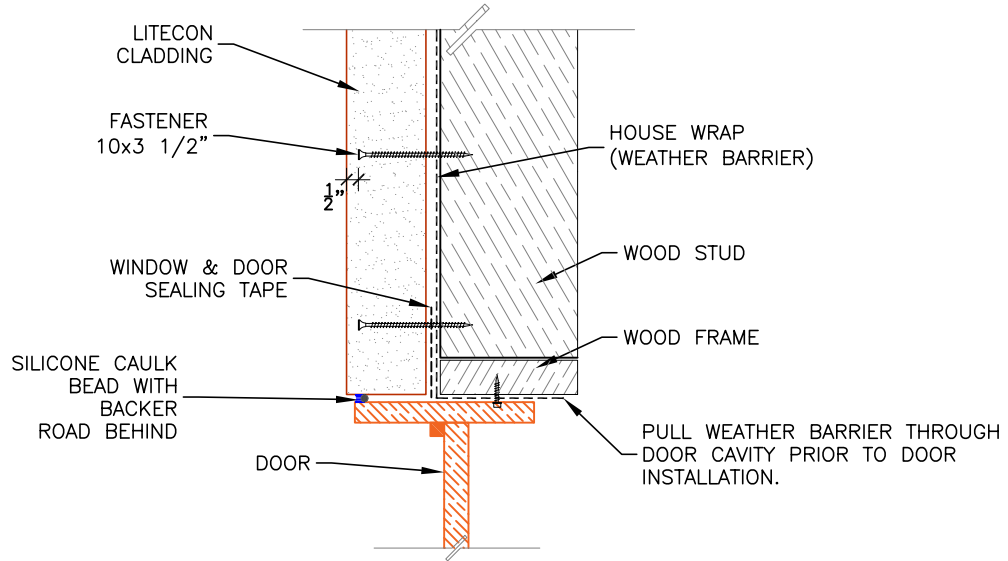
REVISED:

VERSION:

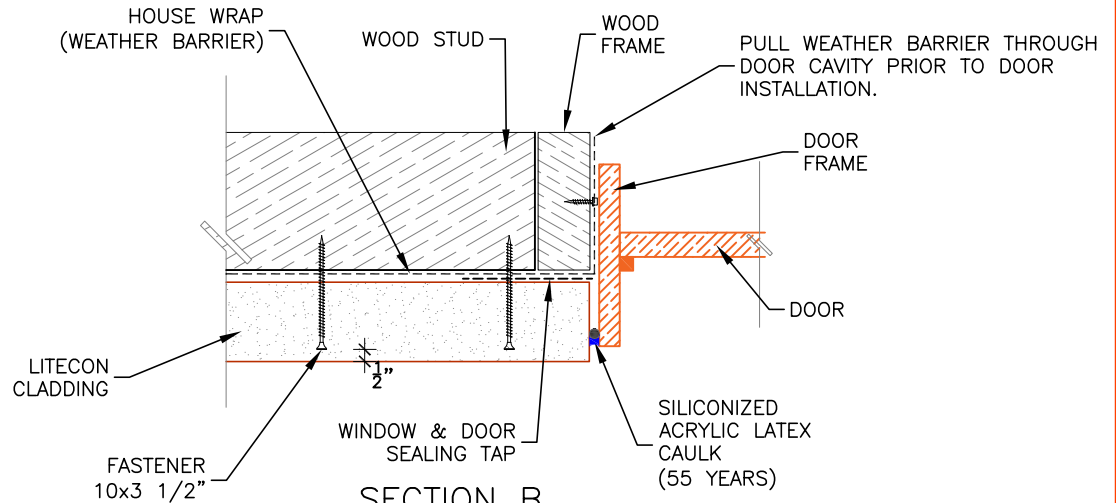
V11 220117

PAGE:

22



SECTION A



SECTION B

OPENINGS DOORS

NOTES

1.- TAMLYNWRAP Drainable Wrap OR TYVEK DrainWrap ARE RECOMMENDED AS A WEATHER BARRIER

CONSTRUCTION DETAILS



PRODUCT:

CLADDING

AREA:

ENGINEERING

ELABORATED:

V.G.C.

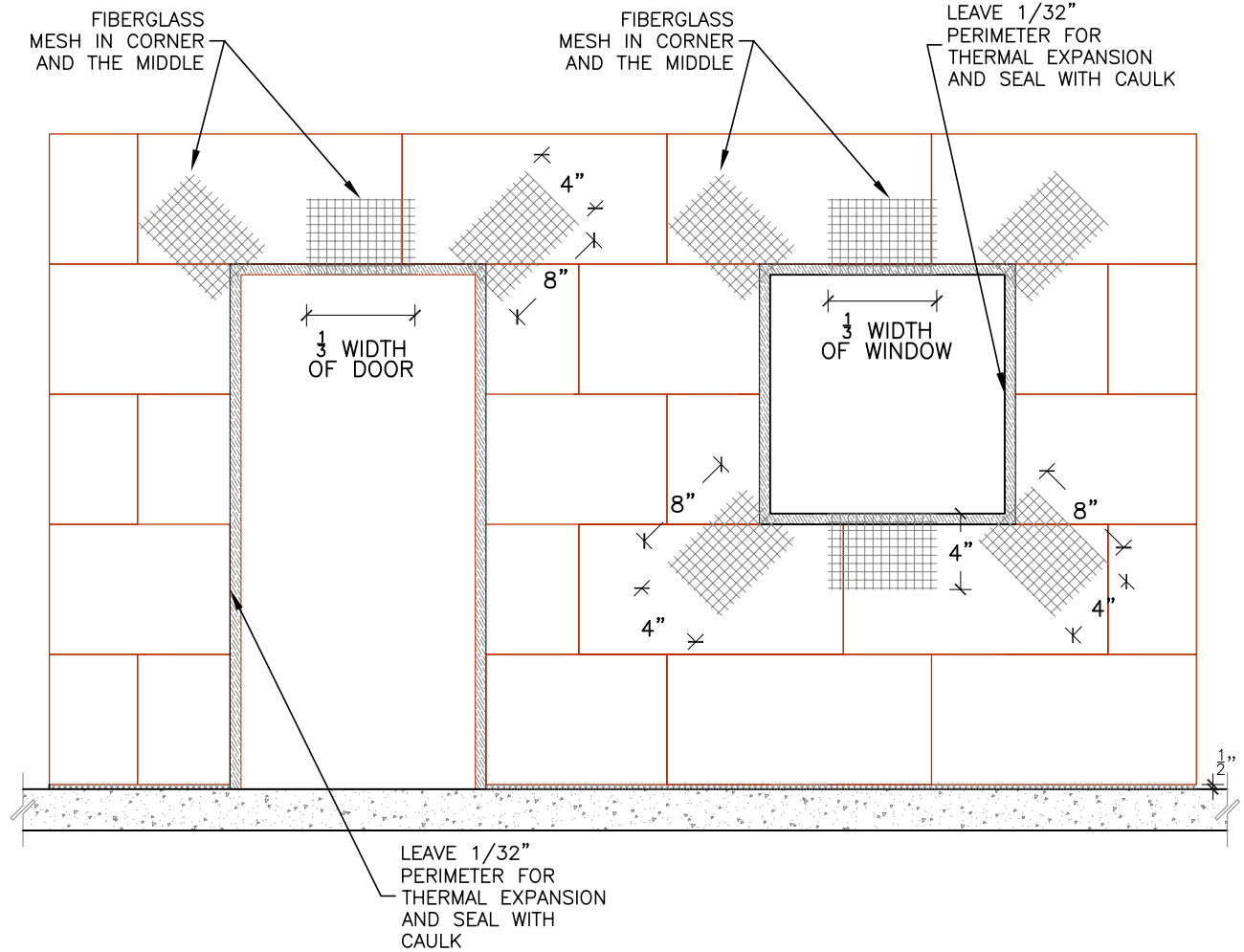
REVISED:

VERSION:

V11 220117

PAGE:

23



FINAL STEPS FIBERGLASS MESH

NOTES

- 1.- FOR DOOR AND WINDOW CORNERS AND REPAIRS, USE SELF-ADHESIVE FIBER GLASS MESH ALKALI RESISTANCE AND HIGH HUMIDITY RESISTANT **ADFORS (SAINT-GOBAIN)**, CEMENT BOARD FIBER TAPE
- 2.- IT IS ADVISABLE TO USE A FIBERGLASS MESH ACCORDING TO THE BASE COAT SYSTEM, FOR MORE INFORMATION CONSULT THE MANUFACTURER'S INSTALLATION GUIDES
- 3.- THE BASE COAT SYSTEMS RECOMMENDED ARE **STO, PAREX, LAHABRA, TEIFS, DRYVIT, DECOPLAST, FACADESXI** OR **SENERGY**. CHECK MANUFACTURER'S INSTALLATION GUIDES FOR THICKNESS OF BASE COAT SYSTEM AND STUCCO FINISH

CONSTRUCTION DETAILS



PRODUCT:

CLADDING

AREA:

ENGINEERING

ELABORATED:

V.G.C.

REVISED:

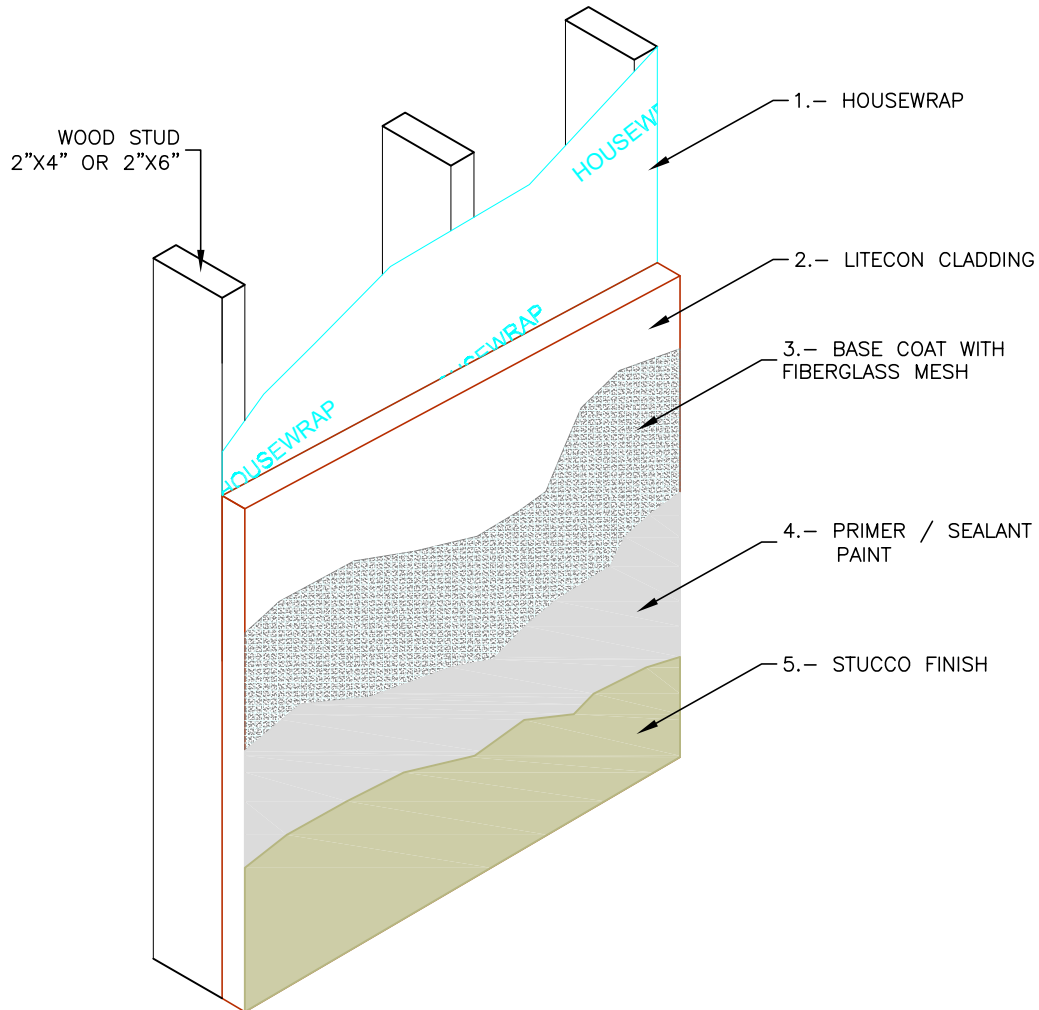
VERSION:

V11 220117

PAGE:

24

FINAL STEPS FINISHES



NOTES

- 1.- FOR DOOR AND WINDOW CORNERS AND REPAIRS, USE SELF-ADHESIVE FIBER GLASS MESH ALKALI RESISTANCE AND HIGH HUMIDITY RESISTANT **ADFORS (SAINT-GOBAIN)**, CEMENT BOARD FIBER TAPE
- 2.- IT IS ADVISABLE TO USE A FIBERGLASS MESH ACCORDING TO THE BASE COAT SYSTEM, FOR MORE INFORMATION CONSULT THE MANUFACTURER'S INSTALLATION GUIDES
- 3.- THE BASE COAT SYSTEMS RECOMMENDED ARE **STO, PAREX, LAHABRA, TEIFS, DRYVIT, DECOPLAST, FACADESXI** OR **SENERGY**. CHECK MANUFACTURER'S INSTALLATION GUIDES FOR THICKNESS OF BASE COAT SYSTEM AND STUCCO FINISH

CONSTRUCTION DETAILS



PRODUCT:

CLADDING

AREA:

ENGINEERING

ELABORATED:

V.G.C.

REVISED:

VERSION:

V11 220117

PAGE:

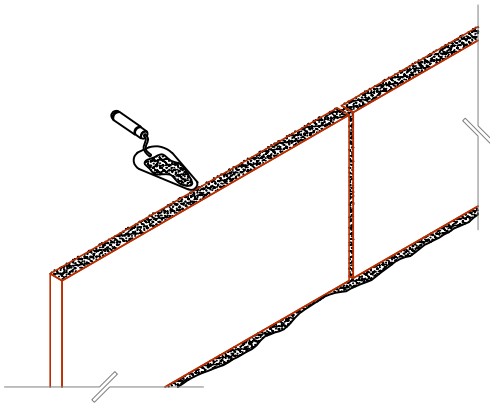
25

AIRCRETE MORTAR ADHESIVE

- 1.- MIX 4/5 gal OF WATER FOR EACH 55 lb OF AIRCRETE ADHESIVE. MIX TO OBTAIN A UNIFORM WORKABLE CONSISTENCY WITH NO CLUMPS. LET REST FOR 5 MINUTES, MIX AGAIN AND APPLY.

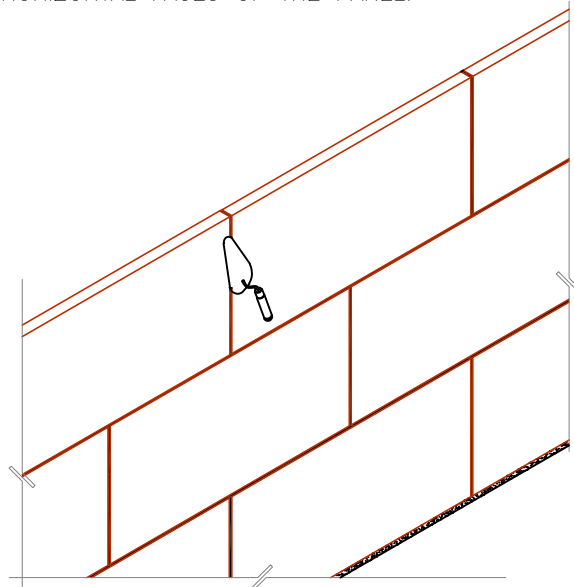


+



- 2.- APPLY 1/2" THICK OR AS NEEDED TO LEVEL FOUNDATION.
- 3.- APPLY A 1/16" LAYER WITH A TROWEL ON VERTICAL AND HORIZONTAL FACES OF THE PANEL.

- 4.- LEVEL AND SMOOTH JOINTS BETWEEN PANELS USING A THIN LAYER OF THE MORTAR



NOTES

- 1.- ALLOW AIRCRETE MORTAR TO DRY FOR A MINIMUM OF 24 HOURS PRIOR TO APPLYING ANY LOAD



FAQ'S

CONSTRUCTION DETAILS



PRODUCT:

CLADDING

AREA:

ENGINEERING

ELABORATED:

V.G.C.

REVISED:

VERSION:

V11 220117

PAGE:

27

FAQ'S

Q. WHAT DO I NEED TO CHECK BEFORE I START?

A. – MAKE SURE THE SLAB OR FOUNDATION HAS A BRICK LEDGE OR IRON ANGLE

– HAVE ALL THE NECESSARY MATERIALS AND TOOLS

– HAVE A CUTTING AREA

Q. HOW DO I PREPARE THE AIRCRETE ADHESIVE?

A. IN A 5 GALLON BUCKET PUT 2 INCHES OF CLEAN WATER, POUR HALF OF A BAG OF AIRCRETE ADHESIVE AND STIR UNTIL THERE ARE NO LUMPS, LET IT REST FOR 5 MINUTES AND GIVE A LAST STIR

Q. HOW MUCH AIRCRETE ADHESIVE SHOULD I PREPARE?

A. IT IS RECOMMENDED TO PREPARE HALF A BAG SO IT DOESN'T DRY OUT

Q. HOW CAN I LEVEL THE FIRST ROW?

A. YOU CAN LEVEL WITH AN S TYPE MORTAR, AIRCRETE ADHESIVE OR A MIX OF BOTH

Q. WHAT SHOULD I DO IF THE EDGE OF THE LITECON CLADDING IS NOT ON A STUD?

A. THERE ARE TWO ALTERNATIVES, THE FIRST ONE IS TO CUT THE LITECON CLADDING AND THE SECOND IS TO PUT AN ADDITIONAL STUD FIXED TO THE EXISTING ONE

Q. IF A WINDOW IS NOT LEVEL, CAN THE LITECON CLADDING BE CUT PARALLEL TO IT?

A. YES IT CAN

Q. PIECES LEFT OVER FROM CUTS CAN BE USED IN OTHER AREAS?

A. YES, THEY CAN BE USED

NOTES

CONSTRUCTION DETAILS



PRODUCT:

CLADDING

AREA:

ENGINEERING

ELABORATED:

V.G.C.

REVISED:

VERSION:

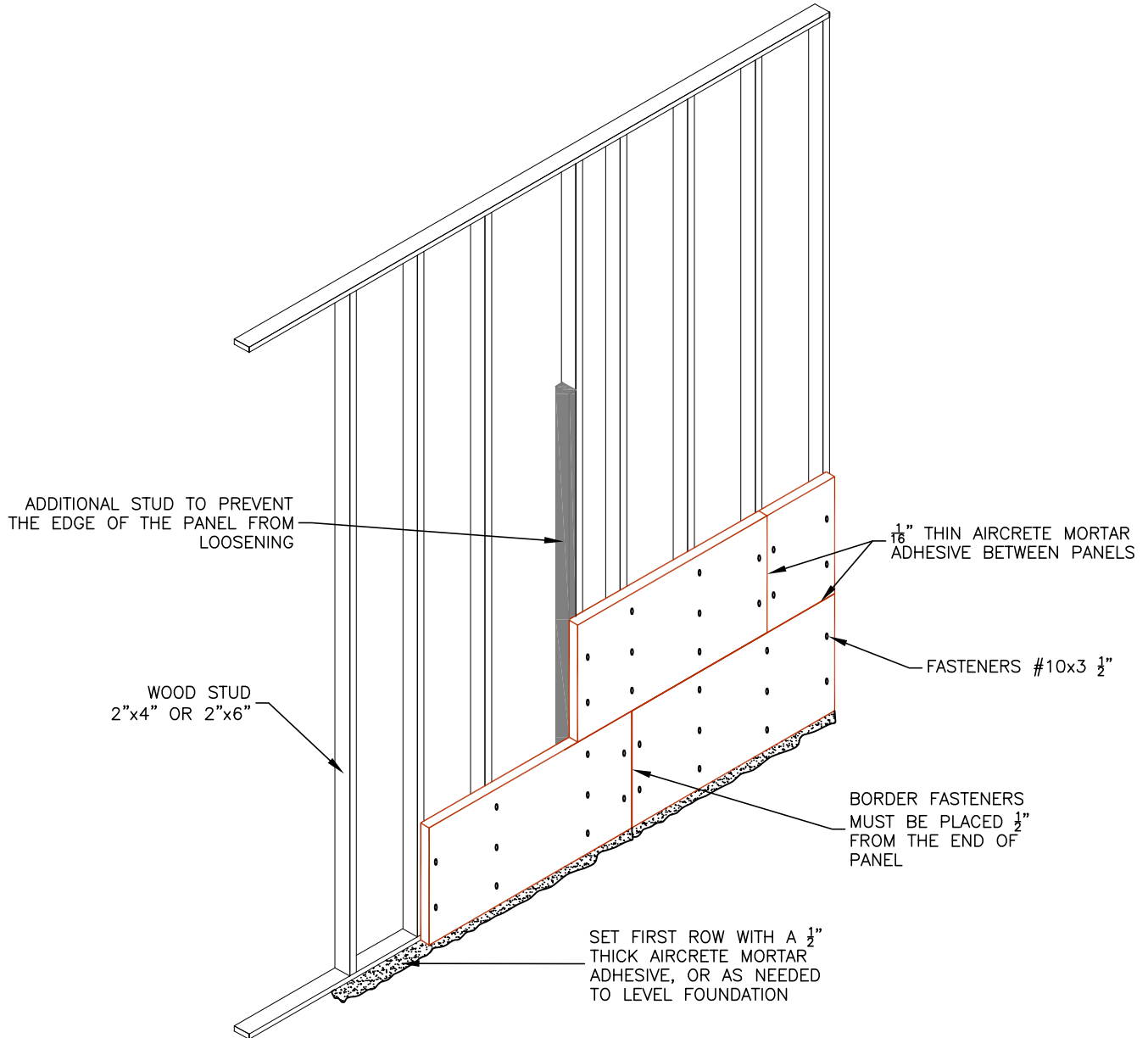
V11 220117

PAGE:

28

WALLS

PLACEMENT OF ADDITIONAL STUD WHEN THE EDGE OF THE PANEL IS NOT ALIGNED WITH A STUD



NOTES

- 1.- THE FIRST ROW CAN ALSO BE LEVELED WITH TRADITIONAL TYPE S MORTAR OR A MIX OF MORTAR AND AIRCRETE ADHESIVE
- 2.- THE $\frac{1}{2}$ " GAP GENERATED BY THE FASTENER MUST BE FILLED WITH ADHESIVE MORTAR TO PREVENT WATER INTRUSION TO THE STUD

CONSTRUCTION DETAILS



PRODUCT:

CLADDING

AREA:

ENGINEERING

ELABORATED:

V.G.C.

REVISED:

VERSION:

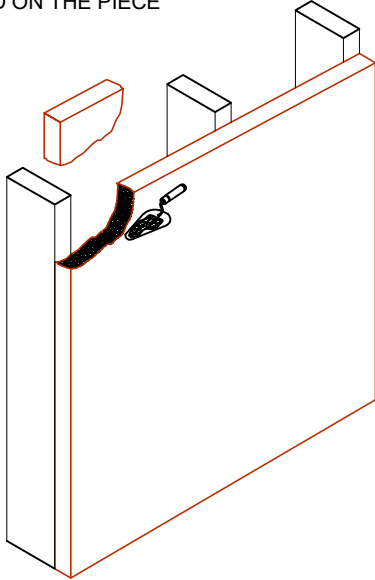
V11 220117

PAGE:

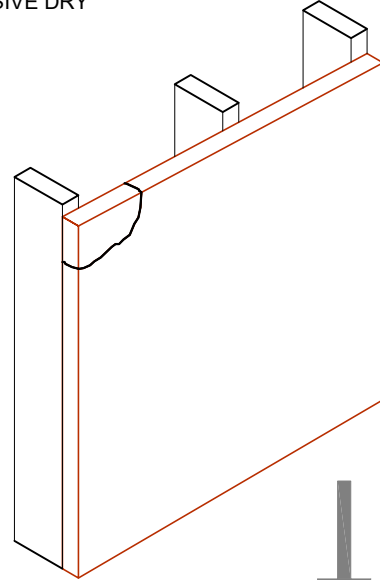
29

CRACKS REPAIRING

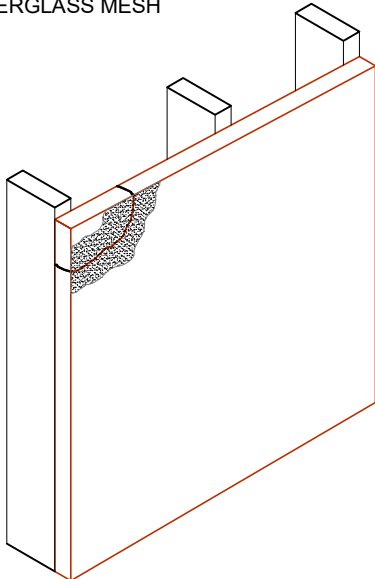
1.- PLACE AIRCRETE ADHESIVE ON LITECON CLADDING AND ON THE PIECE



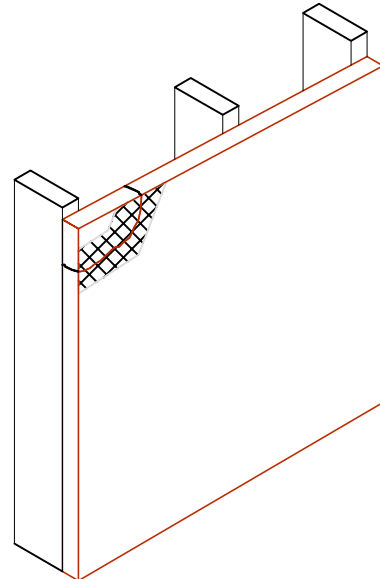
2.- PLACE THE PIECE ON AND LET THE AIRCRETE ADHESIVE DRY



4.- PLACE AIRCRETE ADHESIVE MESH OVER THE FIBERGLASS MESH



3.- PLACE FIBERGLASS MESH OVER THE UNION



NOTES

- 1.- FOR DOOR AND WINDOW CORNERS AND REPAIRS, USE SELF-ADHESIVE FIBER GLASS MESH ALKALI RESISTANCE AND HIGH HUMIDITY RESISTANT **ADFORS (SAINT-GOBAIN)**, CEMENT BOARD FIBER TAPE
- 2.- IT IS ADVISABLE TO USE A FIBERGLASS MESH ACCORDING TO THE BASE COAT SYSTEM, FOR MORE INFORMATION CONSULT THE MANUFACTURER'S INSTALLATION GUIDES
- 3.- THE BASE COAT SYSTEMS RECOMMENDED ARE **STO, PAREX, LAHABRA, TEIFS, DRYVIT, DECOPLAST, FACADESXI** OR **SENERGY**. CHECK MANUFACTURER'S INSTALLATION GUIDES FOR THICKNESS OF BASE COAT SYSTEM AND STUCCO FINISH

CONSTRUCTION DETAILS



PRODUCT:

CLADDING

AREA:

ENGINEERING

ELABORATED:

V.G.C.

REVISED:

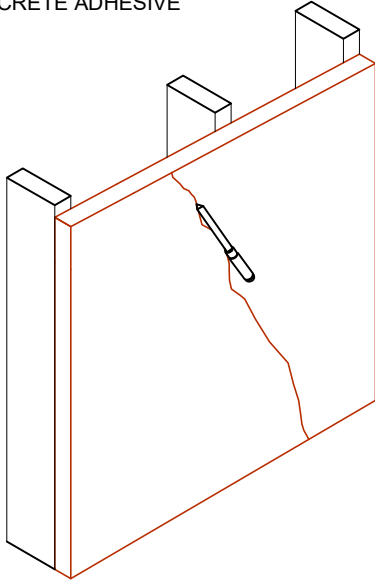
VERSION:

V11 220117

PAGE:

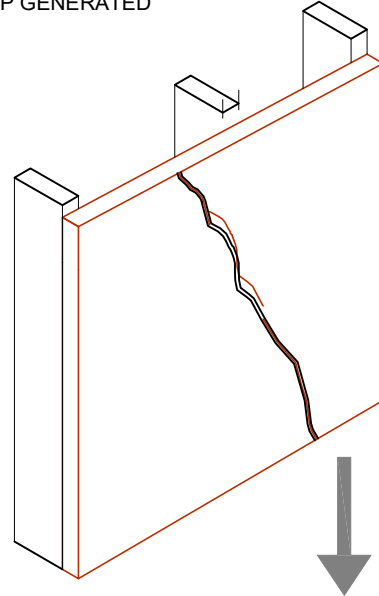
30

1.- SCRATCH THE FISSURE TO MAKE ROOM FOR THE AIRCRETE ADHESIVE

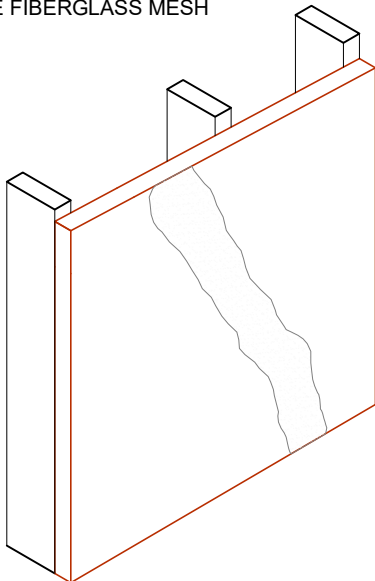


FISSURE REPAIRING

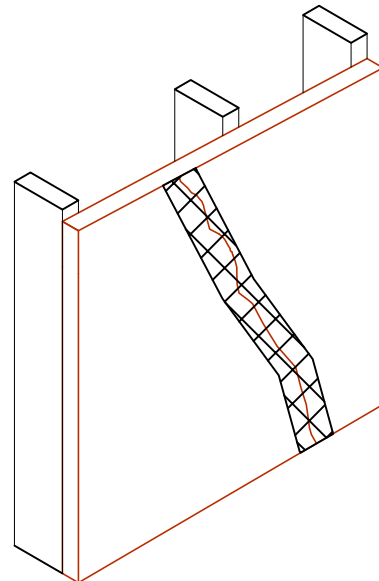
2.- PLACE AIRCRETE ADHESIVE ON THE GAP GENERATED



4.- PLACE AIRCRETE ADHESIVE MESH OVER THE FIBERGLASS MESH



3.- PLACE FIBERGLASS MESH OVER THE FISSURE



NOTES

- 1.- FOR DOOR AND WINDOW CORNERS AND REPAIRS, USE SELF-ADHESIVE FIBER GLASS MESH ALKALI RESISTANCE AND HIGH HUMIDITY RESISTANT **ADFORS (SAINT-GOBAIN)**, CEMENT BOARD FIBER TAPE
- 2.- IT IS ADVISABLE TO USE A FIBERGLASS MESH ACCORDING TO THE BASE COAT SYSTEM, FOR MORE INFORMATION CONSULT THE MANUFACTURER'S INSTALLATION GUIDES
- 3.- THE BASE COAT SYSTEMS RECOMMENDED ARE **STO, PAREX, LAHABRA, TEIFS, DRYVIT, DECOPLAST, FACADESXI** OR **SENERGY**. CHECK MANUFACTURER'S INSTALLATION GUIDES FOR THICKNESS OF BASE COAT SYSTEM AND STUCCO FINISH

CONSTRUCTION DETAILS



PRODUCT:

CLADDING

AREA:

ENGINEERING

ELABORATED:

V.G.C.

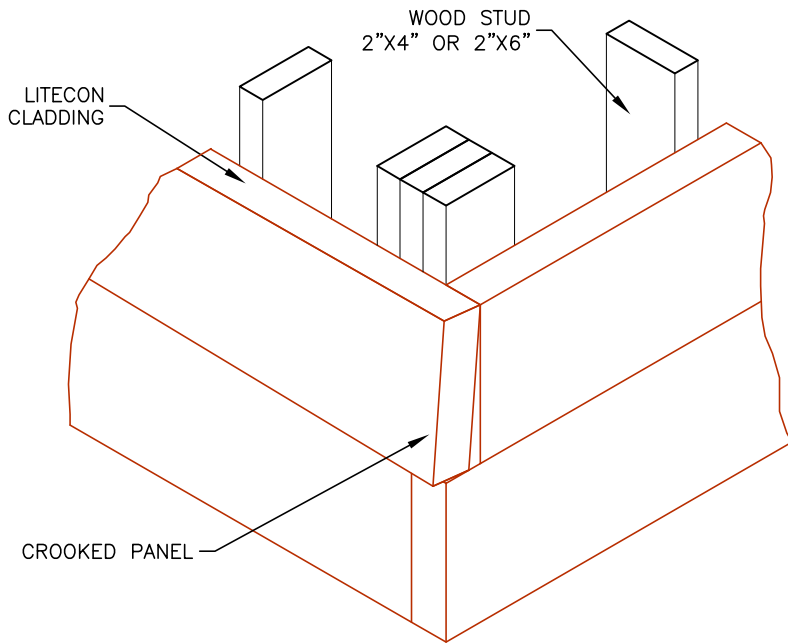
REVISED:

VERSION:

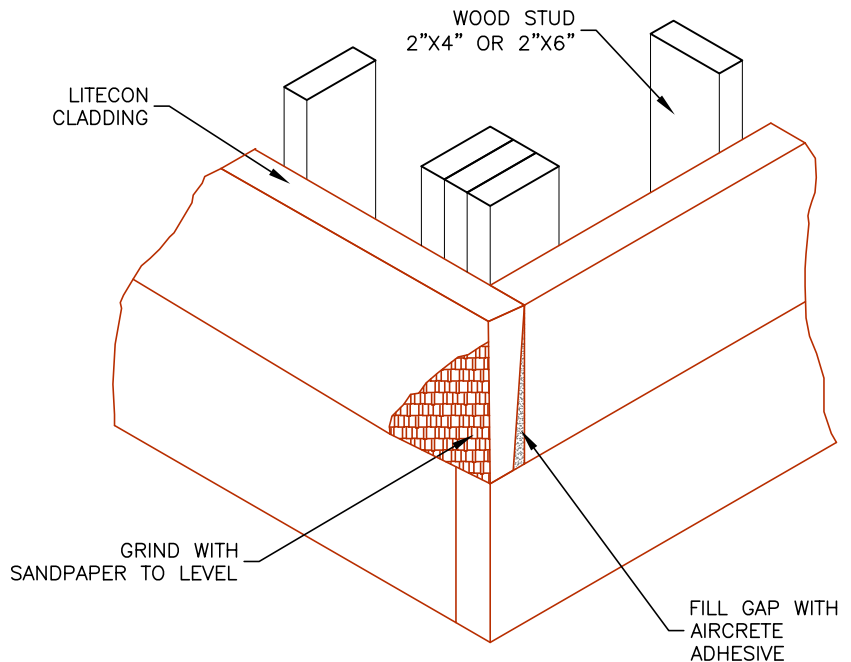
V11 220117

PAGE:

31



CROOKED CORNER REPAIRING



NOTES

- 1.- FOR DOOR AND WINDOW CORNERS AND REPAIRS, USE SELF-ADHESIVE FIBER GLASS MESH ALKALI RESISTANCE AND HIGH HUMIDITY RESISTANT **ADFORS (SAINT-GOBAIN)**, CEMENT BOARD FIBER TAPE
- 2.- IT IS ADVISABLE TO USE A FIBERGLASS MESH ACCORDING TO THE BASE COAT SYSTEM, FOR MORE INFORMATION CONSULT THE MANUFACTURER'S INSTALLATION GUIDES
- 3.- THE BASE COAT SYSTEMS RECOMMENDED ARE **STO, PAREX, LAHABRA, TEIFS, DRYVIT, DECOPLAST, FACADESXI** OR **SENERGY**. CHECK MANUFACTURER'S INSTALLATION GUIDES FOR THICKNESS OF BASE COAT SYSTEM AND STUCCO FINISH



WWW.LITECONUSA.COM

INFO@LITECONUSA.COM